

HUDEVAD

RADIATOR DESIGN



P5
HORIZONTAL

P5 HORIZONTAL

HUDEVAD
RADIATOR DESIGN

50 Δ t

(75/65/20°C)

K1

K2

Height mm	Length mm	Hudevad UIN	Heat output Watts	Heat output Btu/hr	Prod weight (kg)	Hudevad UIN	Heat output Watts	Heat output Btu/hr	Prod weight (kg)
300	1000	-	-	-	-	H131032210	843	2876	22.2
	1500	-	-	-	-	H131032215	1265	4316	33.3
500	400	H131051104	298	1017	8.7	-	-	-	-
	600	H131051106	446	1522	13.1	H131052206	753	2569	20.8
	700	H131051107	521	1778	15.3	H131052207	879	2999	24.3
	800	H131051108	595	2030	17.5	H131052208	1004	3426	27.8
	900	H131051109	670	2286	19.6	H131052209	1130	3856	31.2
	1000	H131051110	744	2539	21.8	H131052210	1255	4282	34.7
	1100	H131051111	818	2791	24.0	H131052211	1381	4712	38.2
	1200	H131051112	893	3047	26.2	H131052212	1506	5139	41.6
	1400	H131051114	1042	3555	30.5	H131052214	1757	5995	48.6
	1600	H131051116	1190	4060	34.9	H131052216	2008	6852	55.5
	1800	H131051118	1339	4569	39.3	H131052218	2259	7708	62.5
2000	-	-	-	-	H131052220	2510	8564	69.4	
600	400	H131061104	350	1194	10.4	H131062204	578	1972	16.4
	500	H131061105	437	1491	13.0	H131062205	723	2467	20.5
	600	H131061106	524	1788	15.6	H131062206	868	2962	24.6
	700	H131061107	612	2088	18.2	H131062207	1012	3453	28.7
	800	H131061108	699	2385	20.8	H131062208	1157	3948	32.8
	900	H131061109	787	2685	23.4	H131062209	1301	4439	36.9
	1000	H131061110	874	2982	26.0	H131062210	1446	4934	41.0
	1100	H131061111	961	3279	28.5	H131062211	1591	5429	45.0
	1200	H131061112	1049	3579	31.1	H131062212	1735	5920	45.0
	1400	H131061114	1224	4176	36.3	H131062214	2024	6906	57.3
	1600	H131061116	1398	4770	41.5	H131062216	2314	7896	65.5
1800	H131061118	1573	5367	46.7	H131062218	2603	8882	73.7	
2000	-	-	-	-	H131062220	2892	9868	81.9	
700	600	-	-	-	-	H131072206	1625	5545	28.8
	700	-	-	-	-	H131072207	2031	6930	33.6
	800	-	-	-	-	H131072208	2437	8315	38.4
	900	-	-	-	-	H131072209	978	3337	43.2
	1000	-	-	-	-	H131072210	1141	3893	48.0
	1200	-	-	-	-	H131072212	1304	4449	57.6
	1400	-	-	-	-	H131072214	1467	5006	67.2

Δ t50 is the UK's industry standard for heating outputs, which has an operating temperature of 75/65/20°C. If you have a low temperature heat source you may wish to consider Δ t40 or Δ t30 output (see your installer or system designer or download from www.stelrad.com).

For EN442 data, technical and installation information please visit our website: www.stelrad.com and search product downloads.

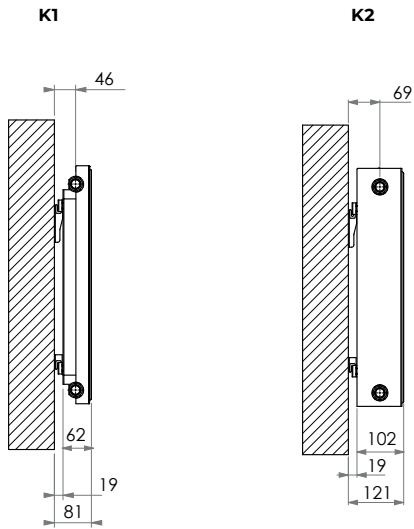
Piping connections are the same as the Stelrad Compact.

P5 HORIZONTAL

HUDEVAD
RADIATOR DESIGN

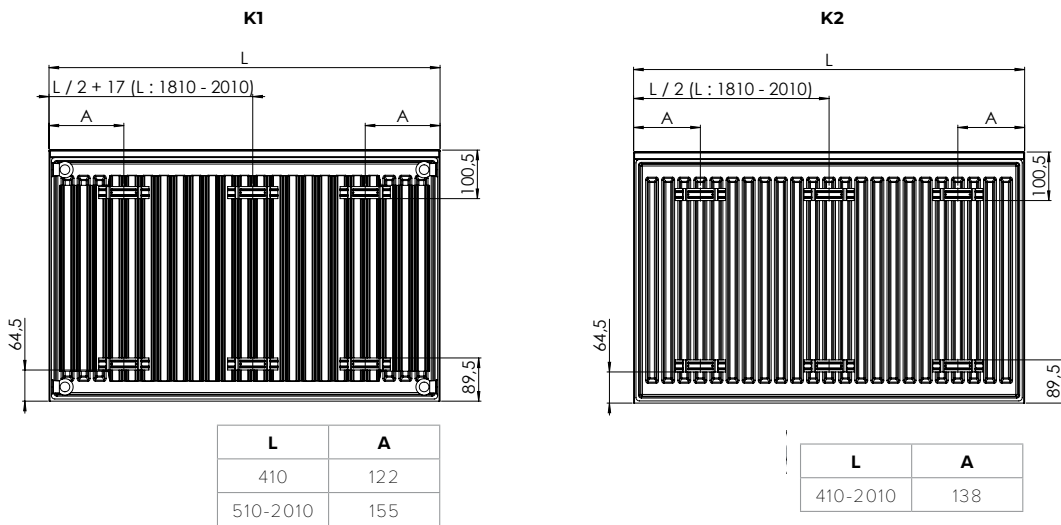
WALL MOUNTING INFORMATION

All dimensions in mm. Inches in brackets.



K1 AND K2 LUG POSITIONS

All dimensions in mm. Inches in brackets.



CONNECTIONS

Each radiator comes with 1/2" inlet connections as standard.

PIPING OPTIONS

