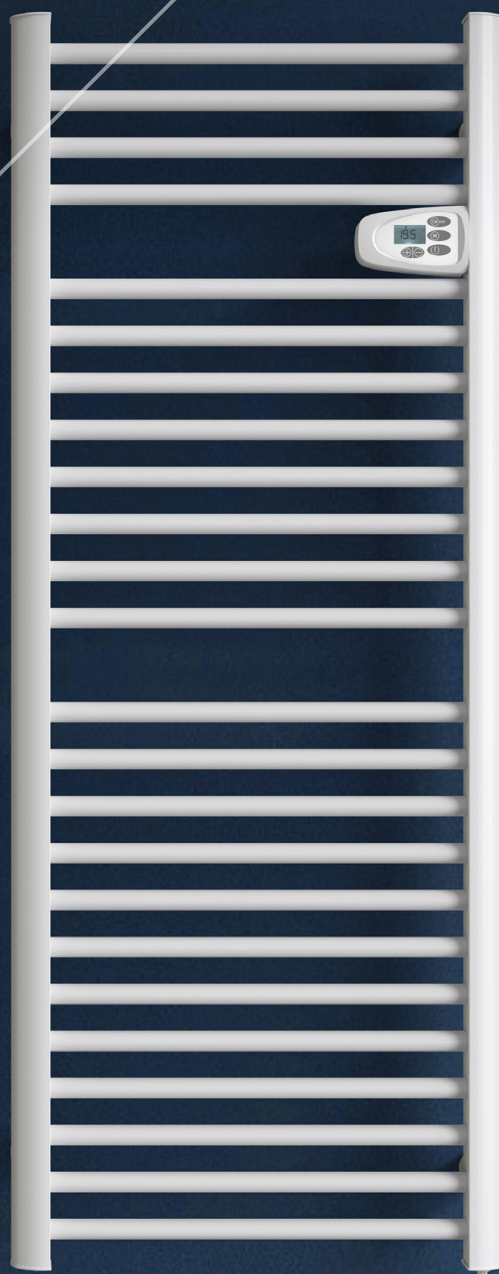


ELECTRIC[®]
SERIES



**FANTASIA
DRY**

The Fantasia Dry electric tubular towel radiator provides effective heating and practical drying performance for any kitchen or bathroom. The sleek straight white rail has 16 or 24 horizontal round tubes and semi-oval manifolds which together result in a smooth, versatile silhouette that also produces heat quickly and flexibly.

The steel manifolds and aluminium tubes are heated via internal electric elements, benefitting from fast and efficient green heat to warm up. This is a greener more environmentally friendly option with simple installation and maintenance.

Stelrad UIN	Colour	Height mm	Length mm	Heat output		Electric voltage - Frequency	Stelrad price exc. VAT	Stelrad price inc. VAT
				Power (Watts)	Btu/hr			
E006-0980-0540	White	980	540	500	1707	230V - 50Hz	£160.13	£192.16
E006-1370-0540	White	1370	540	750	2560	230V - 50Hz	£213.51	£256.21

Integrated control panel

The colour coordinated push button digital control with an LCD display is located on the top right hand side of the towel radiator, with numerous functions for efficiency, energy saving and safety in mind.



Installation

This radiator must be wall mounted and must not be installed immediately below or in front of a power socket or in contact with the wall or floor. If installed within a bathroom, the radiator must be mounted outside zone 1 and the switch / electric control must be in zone 3.

Please note: the cable entry point is situated on the bottom right-hand side.



Positioning and installing

RECOMMENDATIONS IMPORTANT READ BEFORE INSTALLATION

- Do not install the unit directly below a socket.
- Do not install the unit in a damp room or near a water source.
- Do not use the appliance outdoors.
- Do not install the unit in an air current that could disrupt its regulation.
- Do not place the unit near a barrier limiting the airflow around it. Attach the heater vertically to the wall as described below. Choose screws and plugs suitable for the wall material and weight of the unit.
- This product comes with a 800mm colour coordinated cable (no plug), so it can be spur wired to the heating circuit.
- No need to maintain or service this product once installed. However, should any technical problems arise, contact a qualified professional or your local dealer. All operations on the appliance must be carried out by a qualified professional who before performing maintenance must make sure the appliance is turned off, cold and disconnected from the household mains.

RECOMMENDATIONS FOR WALL MOUNTING

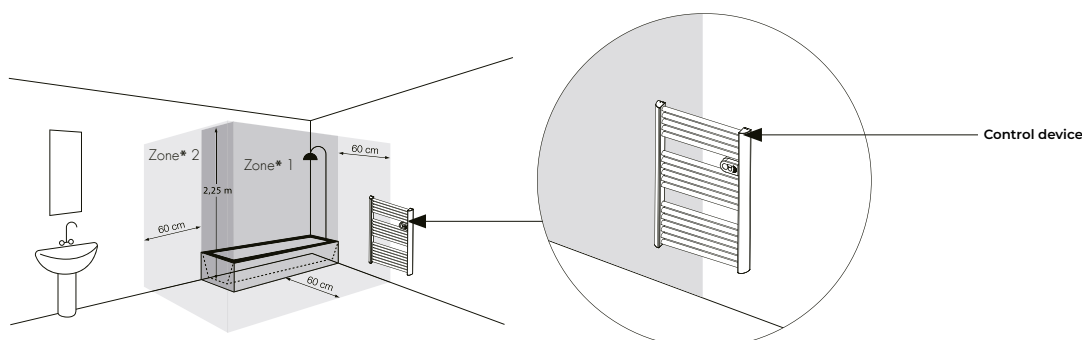
- Do not make any changes to the unit or its mounting bracket on the wall!
- Before installing the device, check the condition of the wall on which it will be fixed: the wall must be in good condition, it must not show any damage (cracks, sagging, humidity, ...).
- Do not drill holes near old holes, even when they are closed.
- It is imperative that you consult a building professional to use the anchoring system (screws, dowels, etc.) appropriate for the material that constitutes your wall, as well as the weight of the appliance. Observe the diameter of the fixing screws indicated in this manual.
- Do not modify the holes for securing the unit or its mounting bracket to the wall.
- Drill the wall with a drill of the appropriate size for the anchoring system. Remove debris and dust.
- Regularly check the mounting points of the device on the wall.

WALL MOUNTING

- Place the towel rail face down on a flat surface, and loosely assemble each fixing point into the nuts located on the reverse of the towel rail using the spacer bar and bolt.
- Tighten each fixing and then offer up the towel rail to the wall and mark off the fixing holes for the holes on each fixing point, taking care to make the rail squarely aligned on the wall.
- Drill and plug the wall suitable for the supplied plugs/screws.
- Screw each fixing point to the wall
- Fit the rail with the assembled spacer bars onto the wall-mounted fixing points. Tighten the spacer bar to the wall fixing using the hexagonal screw with the tool provided.

INSTALLATION IN THE BATHROOM


Warning: this product shall be used in volume 2 and out of volume only according to the national wiring rules (For France NF C 15-100). We suggest that you contact a professional electrician for assistance.



Electrical connection

- To be installed by a specialised engineer in accordance with the applicable standards in the country concerned. When the appliance is installed, make sure the power is off.
- The appliance requires a 230V~ 50Hz (for GMDOE50L and GMDOEF0L) or 220-240V~ 50/60Hz (for GMDOF50L and GMDOFF0L) power supply. Make sure the power line is appropriate.

Voltage: 230 V~ 50 Hz (GMDOE50L, GMDOEF0L); 220-240V~ 50/60Hz (GMDOF50L, GMDOFF0L)

Insulation class: II 

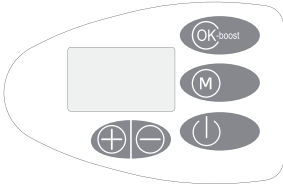
Protection class: IP24

Power [W]	500	750
Rated current [A]	2.2	3.3

- The installation must be carried out in the rules of the art and meet the standards in force in the country (NF C 15-100 in France).
- The unit must be connected to a standard wall box placed at least 60 cm from the floor. The appliance must not be connected to an outlet with a power plug. The appliance must be supplied through a residual current device (RCD) having a rated residual operating current not exceeding 30 mA.
- The appliance must not be connected to the earth wire (yellow and green wire).
- In the absence of pilot wire, insulate the bare end of the black wire to prevent electrical contact with the other wires or ground.
- Make sure the power cable cannot in any way come into contact with the surface of the appliance.

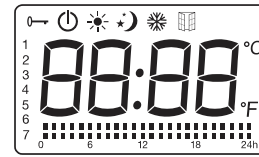
Control Panel

Controls are touch button digital



Symbol	Function
	Standby
OK-boost	Confirm button or Hold 3 seconds to select bSt1/bSt2 mode or short press to select from Modes below: Comfort Mode ECO Mode PRG mode/ pilot mode Mode Anti-freeze
M	Press M to enter the settings menu: time setting / program modes setting / window detection function / Keyboard lock
	Set the time, day of the week, the temperature mode.

LCD Display



Operating modes

- Pilot Wire (n/a in the UK)
- Comfort
- Night / Eco
- Anti-freeze
- OK boost
- Open window
- Child safety
- Keypad lock
- Standby