

HOME

SERIES

*Classic
Compact*

CLASSIC COMPACT

50 Δ t
(75/65/20°C)

K1



P+



K2



| Height mm | Length mm | Stelrad UIN | Heat output Watts | Heat output Btu/hr | Stelrad UIN | Heat output Watts | Heat output Btu/hr | Stelrad UIN | Heat output Watts | Heat output Btu/hr |
|------------|-----------|-------------|-------------------|--------------------|-------------|-------------------|--------------------|-------------|-------------------|--------------------|
| 300 | 500 | 931105h | 254 | 866 | 932105h | 373 | 1273 | 932205h | 490 | 1674 |
| | 1000 | 931110h | 508 | 1734 | 932110h | 745 | 2543 | 932210h | 981 | 3349 |
| | 1500 | 931115h | 762 | 2601 | 932115h | 1118 | 3816 | 932215h | 1472 | 5023 |
| | 2000 | - | - | - | - | - | - | 932220h | 1962 | 6698 |
| 450 | 400 | 941104h | 302 | 1032 | - | - | - | 942204h | 548 | 1871 |
| | 500 | 941105h | 378 | 1290 | 942105h | 528 | 1801 | 942205h | 685 | 2339 |
| | 600 | 941106h | 454 | 1548 | 942106h | 633 | 2161 | 942206h | 822 | 2807 |
| | 700 | 941107h | 529 | 1806 | 942107h | 739 | 2522 | 942207h | 959 | 3274 |
| | 800 | 941108h | 605 | 2064 | 942108h | 844 | 2882 | 942208h | 1096 | 3742 |
| | 900 | 941109h | 680 | 2322 | 942109h | 950 | 3242 | 942209h | 1234 | 4210 |
| | 1000 | 941110h | 756 | 2579 | 942110h | 1055 | 3602 | 942210h | 1371 | 4678 |
| | 1100 | 941111h | 831 | 2837 | 942111h | 1161 | 3962 | 942211h | 1508 | 5146 |
| | 1200 | 941112h | 907 | 3095 | 942112h | 1267 | 4323 | 942212h | 1645 | 5613 |
| | 1400 | 941114h | 1058 | 3611 | 942114h | 1478 | 5044 | 942214h | 1919 | 6549 |
| | 1600 | 941116h | 1209 | 4127 | 942116h | 1689 | 5764 | 942216h | 2193 | 7485 |
| | 1800 | 941118h | 1360 | 4643 | 942118h | 1900 | 6485 | 942218h | 2467 | 8420 |
| | 2000 | 941120h | 1512 | 5159 | 942120h | 2111 | 7205 | 942220h | 2742 | 9358 |
| | 2200 | 941122h | 1603 | 5470 | - | - | - | 942222h | 3016 | 10294 |
| 2400 | 941124h | 1814 | 6190 | - | - | - | 942224h | 3290 | 11230 | |
| 600 | 400 | 961104h | 392 | 1338 | 962104h | 539 | 1838 | 962204h | 693 | 2364 |
| | 500 | 961105h | 490 | 1672 | 962105h | 673 | 2298 | 962205h | 866 | 2955 |
| | 600 | 961106h | 588 | 2006 | 962106h | 808 | 2758 | 962206h | 1039 | 3546 |
| | 700 | 961107h | 686 | 2341 | 962107h | 943 | 3217 | 962207h | 1212 | 4137 |
| | 800 | 961108h | 784 | 2675 | 962108h | 1077 | 3677 | 962208h | 1385 | 4728 |
| | 900 | 961109h | 882 | 3009 | 962109h | 1212 | 4137 | 962209h | 1558 | 5319 |
| | 1000 | 961110h | 980 | 3344 | 962110h | 1347 | 4597 | 962210h | 1732 | 5910 |
| | 1100 | 961111h | 1078 | 3678 | 962111h | 1481 | 5056 | 962211h | 1905 | 6501 |
| | 1200 | 961112h | 1176 | 4013 | 962112h | 1616 | 5516 | 962212h | 2078 | 7092 |
| | 1400 | 961114h | 1372 | 4681 | 962114h | 1885 | 6435 | 962214h | 2424 | 8273 |
| | 1600 | 961116h | 1568 | 5350 | 962116h | 2155 | 7354 | 962216h | 2770 | 9455 |
| | 1800 | 961118h | 1764 | 6019 | 962118h | 2424 | 8273 | 962218h | 3117 | 10637 |
| | 2000 | 961120h | 2234 | 7623 | 962120h | 2694 | 9193 | 962220h | 3466 | 11831 |
| | 2200 | 961122h | 2156 | 7357 | - | - | - | 962222h | 3813 | 13014 |
| 2400 | 961124h | 2352 | 8025 | - | - | - | 962224h | 4160 | 14197 | |
| 700 | 400 | 971104h | 447 | 1524 | 972104h | 613 | 2092 | 972204h | 784 | 2676 |
| | 500 | 971105h | 558 | 1906 | 972105h | 766 | 2614 | 972205h | 980 | 3345 |
| | 600 | 971106h | 670 | 2287 | 972106h | 919 | 3137 | 972206h | 1176 | 4015 |
| | 700 | 971107h | 782 | 2668 | 972107h | 1072 | 3660 | 972207h | 1372 | 4684 |
| | 800 | 971108h | 893 | 3049 | 972108h | 1226 | 4183 | 972208h | 1568 | 5353 |
| | 900 | 971109h | 1005 | 3430 | 972109h | 1379 | 4706 | 972209h | 1764 | 6022 |
| | 1000 | 971110h | 1117 | 3811 | 972110h | 1532 | 5228 | 972210h | 1960 | 6691 |
| | 1100 | 971111h | 1228 | 4192 | 972111h | 1685 | 5752 | 972211h | 2156 | 7360 |
| | 1200 | 971112h | 1340 | 4573 | 972112h | 1839 | 6275 | 972212h | 2352 | 8029 |
| | 1400 | 971114h | 1563 | 5336 | 972114h | 2145 | 7320 | 972214h | 2745 | 9367 |
| | 1600 | 971116h | 1787 | 6098 | - | - | - | 972216h | 3137 | 10705 |
| | 1800 | 971118h | 2010 | 6860 | - | - | - | 972218h | 3529 | 12044 |
| | 2000 | 971120h | 2234 | 7623 | - | - | - | 972220h | 3927 | 13404 |

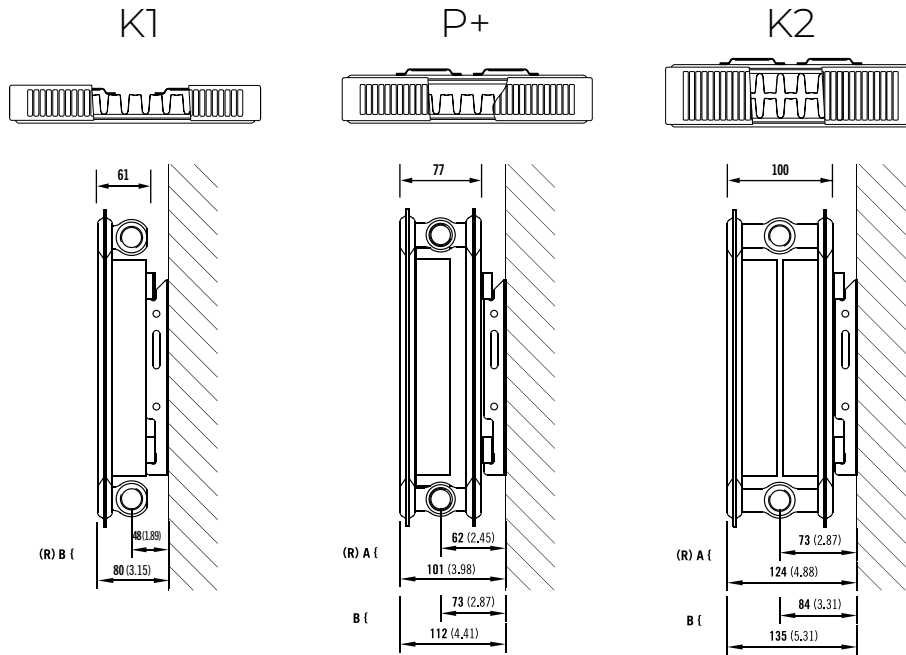
At50 is the UK's industry standard for heating outputs, which has an operating temperature of 75/65/20°C. If you have a low temperature heat source you may wish to consider Δt_{40} or Δt_{30} output (see your installer or system designer or download from www.stelrad.com).

For EN442 data, technical and installation information please visit our website: www.stelrad.com and search product downloads.

CLASSIC COMPACT

WALL MOUNTING AND LUG INFORMATION

All dimensions in mm. Inches in brackets.



Compact bracket position. A = Closest to wall / B = Furthest from wall / (R) = Recommended mounting position

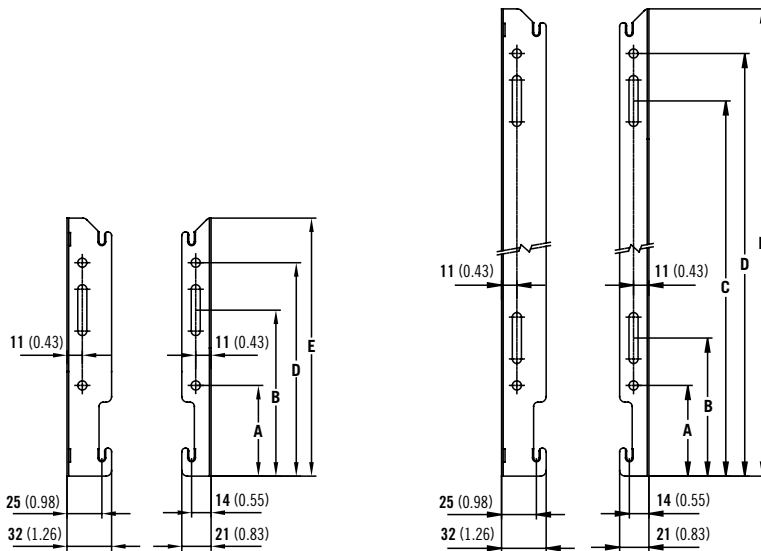
K1 long only - position B. P+ and K2 can be position A or B.

CLASSIC COMPACT

MOUNTING BRACKETS

All dimensions in mm. Inches in brackets.

Floor mounting brackets available.



**K1, P+ and K2
(300mm)**

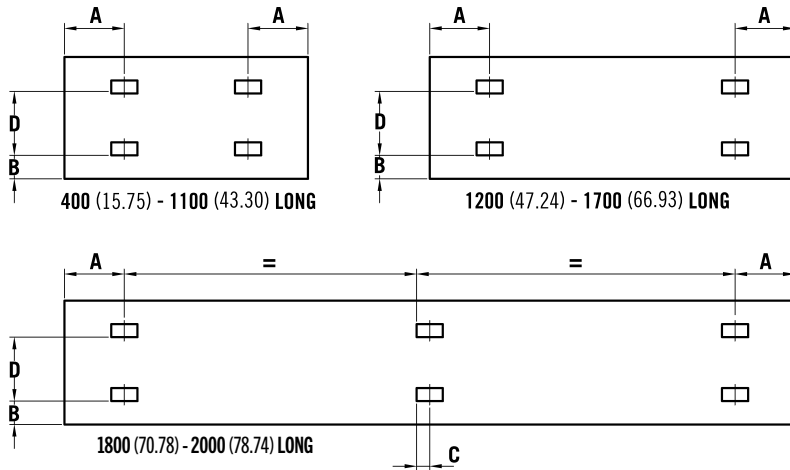
**K1, P+ and K2
(OVER 300mm)**

K1, P+ AND K2 (300mm)

| Dimensions | mm | inches | mm | inches | mm | inches | mm | inches |
|------------|-----|--------|-----|--------|-----|--------|-----|--------|
| Height | 300 | 11.81 | 450 | 17.72 | 600 | 23.62 | 700 | 27.56 |
| A | 65 | 2.56 | 65 | 2.56 | 65 | 2.56 | 65 | 2.56 |
| B | 119 | 4.69 | 99 | 3.90 | 99 | 3.90 | 99 | 3.90 |
| C | - | - | 269 | 10.59 | 419 | 16.50 | 519 | 20.43 |
| D | 153 | 6.02 | 303 | 11.93 | 453 | 17.83 | 553 | 21.77 |
| E | 185 | 7.28 | 335 | 13.19 | 485 | 19.09 | 585 | 23.03 |

CLASSIC COMPACT

K1, P+ AND K2 LUG POSITION



| PANEL HEIGHT | | D | |
|--------------|-------|-----|-------|
| mm | in | mm | in |
| 300 | 11.81 | 155 | 6.10 |
| 450 | 17.72 | 305 | 12.01 |
| 600 | 23.62 | 455 | 17.91 |
| 700 | 27.56 | 555 | 21.95 |

| Dimensions | K1 | | P+ & K2 | |
|-----------------|-----|------|---------|------|
| | mm | in | mm | in |
| A 400mm | 117 | 4.61 | 133 | 5.24 |
| A 500 - 2000mm | 150 | 5.91 | 133 | 5.24 |
| B 400 - 2000mm | 60 | 2.36 | 60 | 2.36 |
| C 1800 - 2000mm | 17 | 0.67 | L/2 | L/2 |

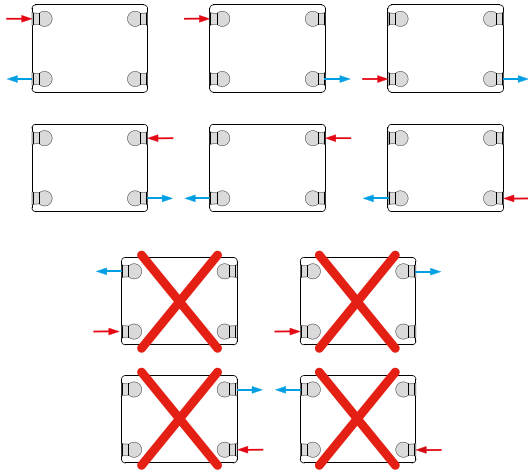
L/2 is the length divided by two.

CONNECTIONS

Each radiator comes with ½" inlet connections as standard.

CLASSIC COMPACT

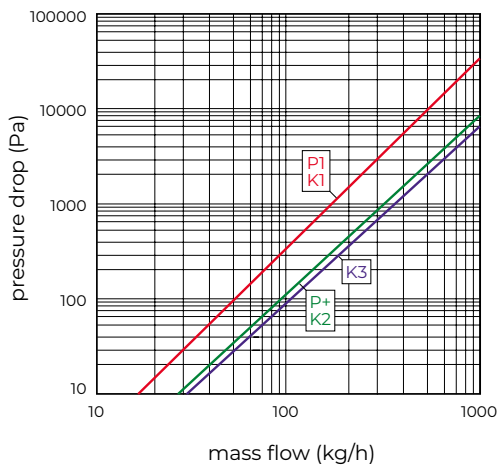
COMPACT PIPING OPTIONS



EN 442 CERTIFICATION DATA - CETIAT TESTED IN ACCORDANCE WITH BS EN 442

| Type | K1 | | | | P+ | | K2 | | | |
|---|------|-------|-------|-------|-------|------|------|------|------|-------|
| | 300 | 450 | 600 | 700 | 450 | 600 | 300 | 450 | 600 | 700 |
| Height | 300 | 450 | 600 | 700 | 450 | 600 | 300 | 450 | 600 | 700 |
| W/m at 75/65/20 | 494 | 716 | 923 | 1052 | 1055 | 1345 | 982 | 1371 | 1732 | 1961 |
| n-coefficients | 1.27 | 1.28 | 1.29 | 1.31 | 1.33 | 1.34 | 1.33 | 1.33 | 1.33 | 1.34 |
| Heated surface area (m ² /m) | 1.75 | 2.82 | 3.87 | 4.58 | 3.84 | 5.24 | 3.51 | 5.62 | 7.74 | 9.15 |
| Weight (kg/m) | 8.16 | 12.80 | 17.45 | 20.05 | 22.04 | 29.8 | 16.8 | 25.9 | 35 | 40.53 |
| Water contents (l/m) | 1.88 | 2.59 | 3.30 | 3.80 | 5.15 | 6.60 | 3.70 | 5.15 | 6.60 | 7.63 |
| Wall to tap centre (mm) | 48 | 48 | 48 | 48 | 62 | 62 | 73 | 73 | 73 | 73 |

PRESSURE DROPS



| Type | Kv |
|---------|------|
| P1 / K1 | 1.67 |
| P+ / K2 | 3.32 |
| K3 | 3.65 |