

HOME

SERIES



Cast Iron
Column

CAST IRON COLUMN



50 Δ t

(75/65/20°C)

4 COLUMN

6 COLUMN

Height mm	Length mm	Sections	Stelrad UIN	Heat output Watts Btu/h		Weight (kg)	Stelrad UIN	Heat output Watts Btu/h		Weight (kg)
360	512	8	264073h	378	1291	28	-	-	-	-
	573	9	264074h	426	1452	31	-	-	-	-
	634	10	264075h	473	1614	34	-	-	-	-
	695	11	264076h	520	1775	38	-	-	-	-
	756	12	264077h	568	1937	41	-	-	-	-
	816	13	264078h	615	2098	45	-	-	-	-
	877	14	264079h	662	2259	48	-	-	-	-
	938	15	264080h	710	2421	52	-	-	-	-
	999	16	264081h	757	2582	55	-	-	-	-
	1060	17	264082h	804	2744	59	-	-	-	-
505	1120	18	264083h	851	2905	62	-	-	-	-
	1181	19	264084h	899	3066	65	-	-	-	-
	512	8	264085h	538	1834	34	264037h	772	2634	67
	573	9	264086h	605	2064	38	264038h	869	2963	75
	634	10	264087h	672	2293	42	264039h	965	3293	84
	695	11	264088h	739	2522	46	264040h	1062	3622	92
	756	12	264089h	806	2751	50	264041h	1158	3951	100
	816	13	264090h	874	2981	55	264042h	1255	4280	109
	877	14	264091h	941	3210	59	264043h	1351	4610	117
	938	15	264092h	1008	3439	63	264044h	1448	4939	125
660	999	16	264093h	1075	3669	67	264045h	1544	5268	134
	1060	17	264094h	1142	3898	71	264046h	1641	5597	142
	1120	18	264095h	1210	4127	75	264047h	1737	5927	150
	1181	19	264096h	1277	4356	80	264048h	1834	6256	159
	512	8	264001h	706	2410	44	264049h	1012	3453	77
	573	9	264002h	795	2712	50	264050h	1139	3885	86
	634	10	264003h	883	3013	56	264051h	1265	4316	96
	695	11	264004h	971	3314	61	264052h	1392	4748	105
	756	12	264005h	1060	3615	67	264053h	1518	5179	115
	816	13	264006h	1148	3917	72	264054h	1645	5611	125
760	877	14	264007h	1236	4218	78	264055h	1771	6043	134
	938	15	264008h	1325	4519	83	264056h	1898	6474	144
	999	16	264009h	1413	4820	89	264057h	2024	6906	153
	1060	17	264010h	1501	5122	94	264058h	2151	7338	163
	1120	18	264011h	1589	5423	100	264059h	2277	7769	173
	1181	19	264012h	1678	5724	106	264060h	2404	8201	182
	512	8	264013h	852	2907	50	-	-	-	-
	573	9	264014h	959	3270	56	-	-	-	-
	634	10	264015h	1065	3634	62	-	-	-	-
	695	11	264016h	1172	3997	68	-	-	-	-
960	756	12	264017h	1278	4361	75	-	-	-	-
	816	13	264018h	1385	4724	81	-	-	-	-
	877	14	264019h	1491	5087	87	-	-	-	-
	938	15	264020h	1598	5451	93	-	-	-	-
	999	16	264021h	1704	5814	100	-	-	-	-
	1060	17	264022h	1811	6177	106	-	-	-	-
	1120	18	264023h	1917	6541	112	-	-	-	-
	1181	19	264024h	2024	6904	118	-	-	-	-
	512	8	264025h	1019	3478	63	264061h	1459	4979	98
	960	573	9	264026h	1147	3912	71	264062h	1642	5601
634		10	264027h	1274	4347	79	264063h	1824	6223	123
695		11	264028h	1401	4782	86	264064h	2006	6846	135
756		12	264029h	1529	5216	94	264065h	2189	7468	147
816		13	264030h	1656	5651	102	264066h	2371	8091	160
877		14	264031h	1784	6086	110	264067h	2554	8713	172
938		15	264032h	1911	6520	118	264068h	2736	9335	184
999		16	264033h	2038	6955	126	264069h	2918	9958	196
1060		17	264034h	2166	7390	133	264070h	3101	10580	209
1120		18	264035h	2293	7824	141	264071h	3283	11202	221
1181	19	264036h	2421	8259	149	264072h	3466	11825	233	

At50 is the UK's industry standard for heating outputs, which has an operating temperature of 75/65/20°C. If you have a low temperature heat source you may wish to consider Δ t40 or Δ t30 output (see your installer or system designer or download from www.stelrad.com).

For EN442 data, technical and installation information please visit our website: www.stelrad.com and search product downloads.

Lengths quoted are given in good faith. However, due to the nature of the manufacturing process tolerances can and should be expected. Quoted dimensions should therefore only be used as a guideline.

ONLY AVAILABLE IN A NATURAL CAST FINISH.

Delivery Information

Please note: Due to the weight of the product a 2-man lift is required and there is a £90 incl. VAT shipping charge per order, per destination for orders under £1800 incl. VAT.

The delivery driver is only able to stop at the closest point on the road at the nearest accessible external hard standing, i.e. pavement.

Due to health and safety legislation the driver is prohibited from lifting any heavy goods (25kg = max. single person lift). They are not insured to enter the property. It is your responsibility to organise the manpower thereafter to be available to move your radiators to a suitable and dry storage area.

Cast Iron Column radiators are delivered individually wrapped with each individual radiator layer separated with a thick card then secured flat onto the pallet(s).

Cast Iron Column radiators have up to a 14 day lead time.

Bush/Valve Installation

Please note that a unique feature of Cast Iron radiators is that the top and bottom threads on one side of the radiator are Left Hand threaded. This means that any Left Hand threaded bushes tighten into these threads in a counter-clockwise direction. The top air vent bush and the fitting below are Left Hand threads (the female sub-thread within these bushes is standard Right-Hand thread). Never force a bush into the radiators thread, double check the bush and radiator threads for correct orientation. The bushes on the opposite end of the radiator are Right-Hand threads (so undo/tighten in the usual way).

When fitting a valve tail or air vent into the Left-Hand bush you will need to 'hold against' the bush with a suitable flat faced wrench to prevent this bush from unscrewing/loosening.

The excessive use of jointing materials when making the valve tails/vents into the bushes can sometimes crack the cast iron bush. It is recommended to use the correct amount of PTFE tape to make this joint. Other sealing compounds can be used and care should be taken to ensure they do not come into contact with the bush gaskets. Whilst you do need to firmly tighten fittings in please do NOT excessively over tighten as this could lead to failure of the component.

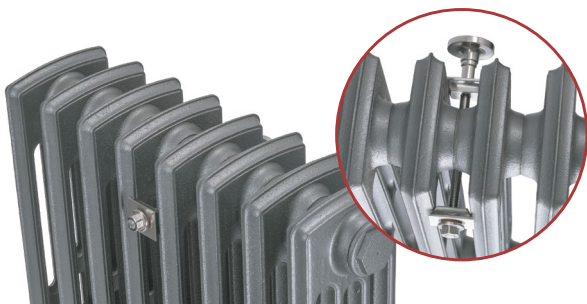
Reminder on Bushes: The male (external) large thread of each bush fitting on the air vent side of the radiator is a Left-Hand thread i.e. turns counter-clockwise to tighten. The internal sub-threads of these bushes are standard Right-Hand thread so screw the valve tail and air vent into these bushes in the usual way (clockwise). The radiator section and bush threads at the opposite end of the radiator are both Right Hand threads.

Valves: For trouble free operation always fit your TRV (Thermostatic Radiator Valve) onto the heating flow pipe work. Failure to fit the TRV on the heating flow will cause unsatisfactory operation and could result in excessively noisy operation (water hammer).

Balancing the System: Your heating engineer will be familiar with the requirement to balance the radiators when they commission the system. Getting this right is important to the operational share of the available heated water. This is achieved through adjusting the lock-shield valves on the radiators (turning down the lock-shield valves on radiators that are closest to the pump and opening the lock-shield valves further from the pump). In this way you 'share' the available heat evenly around the system. Do this with the TRV/wheel-head valves fully open and then use the TRV/wheel-head for local room control of the temperature.

Wall Stay Installation

Wall stays are typically clamped between the rear columns of the radiator and screwed securely to the wall. The threaded rod should then be cut to length to suit final positioning (see diagram below).



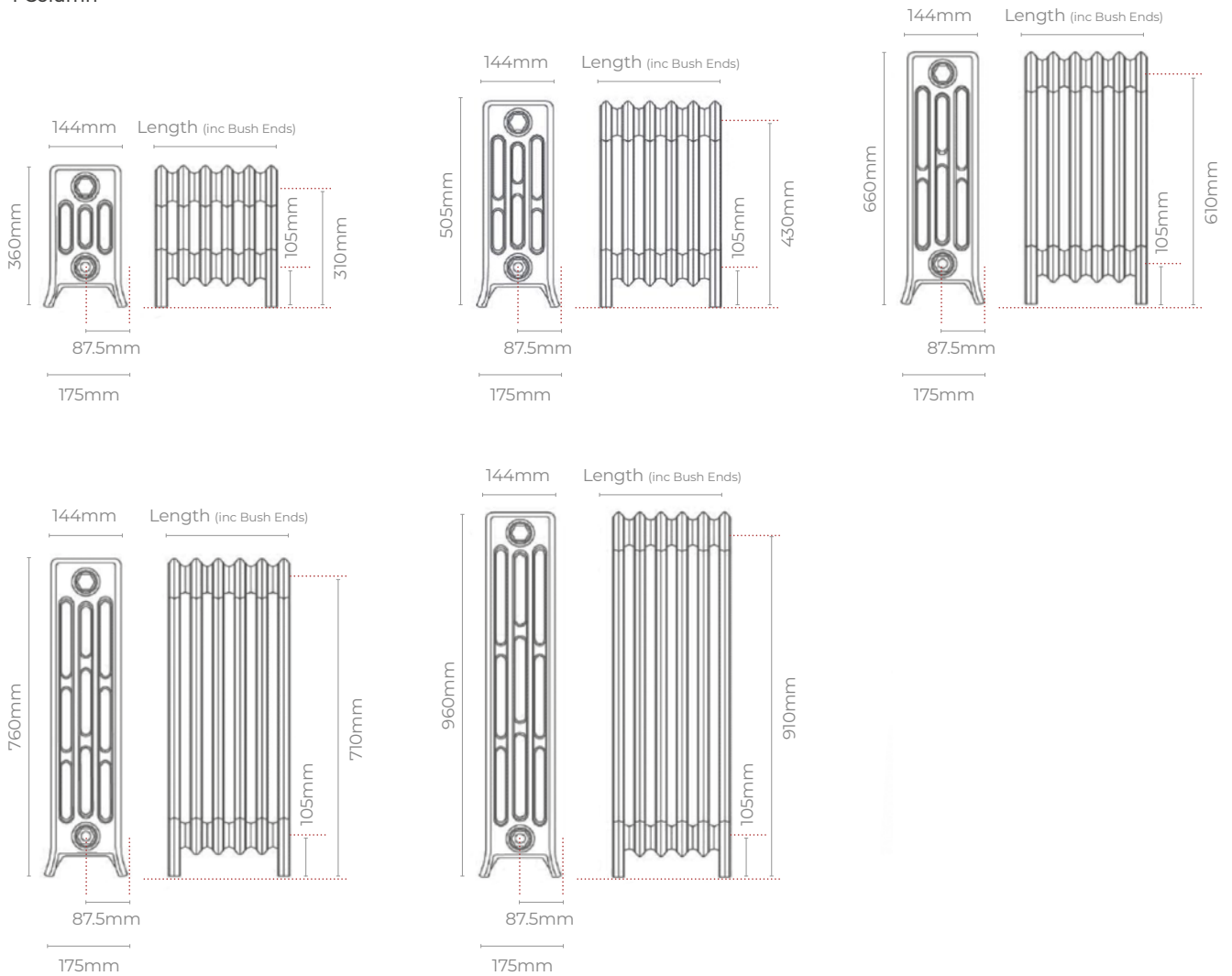
Wall stays provide a firm brace to the wall for your Cast Iron radiator. All our Cast Iron radiators are floor standing and stable, however, due to their weight, we strongly recommend you tie your radiator to the wall with wall stays for added safety.

CAST IRON COLUMN

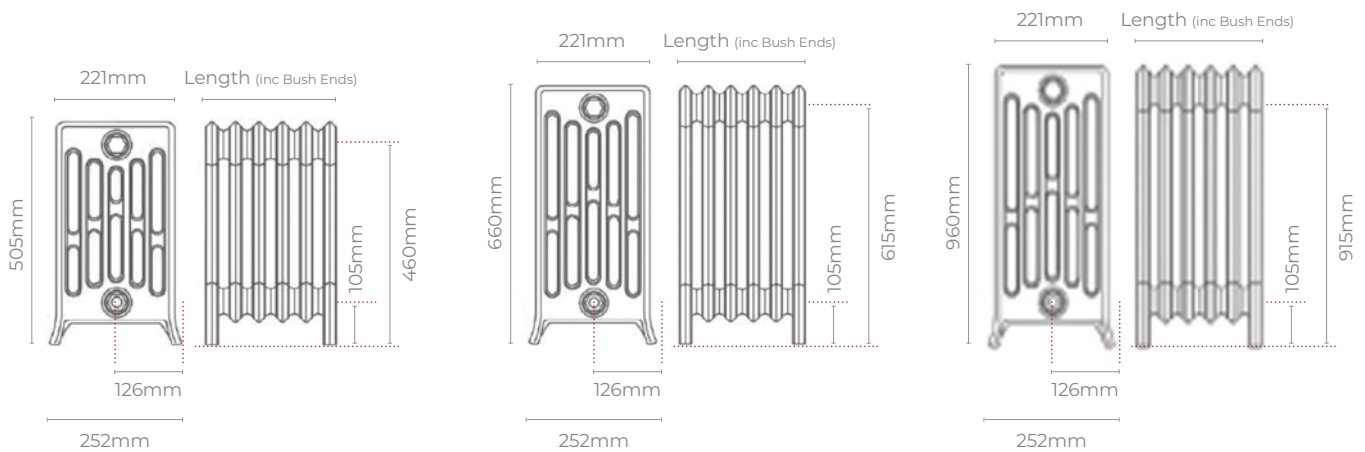


PRODUCT DIMENSIONS

4 Column



6 Column



CAST IRON COLUMN



ACCESSORIES - OPTIONAL VALVES



263060
Antique Brass



263061
Brushed Nickel

The thermostatic radiator valve comes with an in-built temperature sensor which maintains the room at the temperature you have selected.

ALL EN442 INFORMATION IS AVAILABLE ON REQUEST.

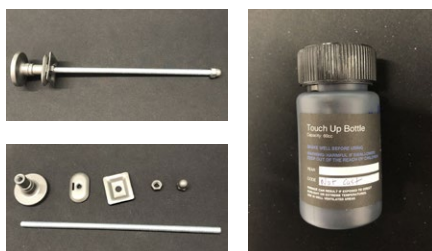
PRESSURE DROPS

Cast Iron Column range Maximum Operating Pressure = 6 bar (max. test pressure = 7.8 bar).

'HARDWARE PACK' INCLUDES

Wall tie(s) provided (no screws).

Brass bleed valve and touch up paint pots included as standard.



COLOUR OPTIONS



Aged Gold



Anthracite Black



Bright Gold



Bronze



Copper



Natural Cast



Old Penny



Old Pewter



Pewter



Sovereign Gold