

LST Range

Standard

Stelrad's range of Low Surface Temperature radiators is the most comprehensive in the UK, with sizes and models to suit all applications. They all meet NHS Guidance for 'safe hot water and surface temperature' and are finished with anti-bacterial paint as standard, making them the No.1 choice for safety-critical environments. Installation is simple and all components are included in a single robust pack.

Safety



CPD

BIM

5

FIVE YEAR
WARRANTY
ON CASING

10

TEN YEAR
WARRANTY
ON EMITTER

Standard 72 models

Heights: 500mm, 600mm & 800mm

Lengths: 560mm to 1960mm

Outputs: 196 to 2767 watts, 668 to 9442 Btu/hr

Types: K1, P+ & K2

For more information call 0844 543 6200 or visit www.stelrad.com

 **Stelrad**
Europe's favourite radiator

Follow us on:  @stelrad  facebook.com/stelradlimited

The Stelrad you know *and so much more...*

Stelrad LST Range Standard



50 Δt (75/65/20°C)

K1



P+



K2



Casing Height

Casing Height	Casing Length mm	Emitter Height mm	Emitter Length mm	Heat output			Heat output			Heat output		
				UIN	Watts	Btu/hr	UIN	Watts	Btu/hr	UIN	Watts	Btu/hr
500	560	300	400	145000	196	669	145008	284	969	145016	348	1187
	760	300	600	145001	293	1000	145009	426	1454	145017	522	1781
	960	300	800	145002	391	1334	145010	568	1938	145018	696	2375
	1160	300	1000	145003	489	1668	145011	710	2423	145019	870	2968
	1360	300	1200	145004	587	2003	145012	852	2907	145020	1044	3562
	1560	300	1400	145005	685	2337	145013	994	3392	145021	1218	4156
	1760	300	1600	145006	782	2668	145014	1136	3876	145022	1392	4750
650	1960	300	1800	145007	880	3003	145015	1278	4361	145023	1566	5343
	560	450	400	145024	290	989	145032	386	1317	145040	478	1631
	760	450	600	145025	435	1484	145033	580	1979	145041	717	2446
	960	450	800	145026	580	1979	145034	773	2637	145042	956	3262
	1160	450	1000	145027	725	2474	145035	966	3296	145043	1195	4077
	1360	450	1200	145028	870	2968	145036	1159	3955	145044	1434	4893
	1560	450	1400	145029	1015	3463	145037	1352	4613	145045	1673	5708
1760	450	1600	145030	1160	3958	145038	1546	5275	145046	1912	6524	
800	1960	450	1800	145031	1305	4453	145039	1739	5933	145047	2151	7341
	560	600	400	145048	365	1245	145056	501	1709	145064	615	2098
	760	600	600	145049	548	1870	145057	751	2562	145065	922	3146
	960	600	800	145050	730	2493	145058	1002	3419	145066	1230	4197
	1160	600	1000	145051	913	3115	145059	1252	4272	145067	1537	5244
	1360	600	1200	145052	1096	3740	145060	1502	5125	145068	1844	6295
	1560	600	1400	145053	1278	4361	145061	1753	5981	145069	2152	7343
1760	600	1600	145054	1461	4985	145062	2003	6837	145070	2459	8393	
1960	600	1800	145055	1643	5606	145063	2254	7691	145071	2767	9441	

$\Delta t50$ is the UK's industry standard for heating outputs, which has an operating temperature of 75/65/20°C if you have a low temperature heat source you may wish to consider $\Delta t40$ or $\Delta t30$ output (see your installer or system designer).

40 Δt (65/55/20°C)

K1



P+



K2



Casing Height

Casing Height	Casing Length mm	Emitter Height mm	Emitter Length mm	Heat output			Heat output			Heat output		
				UIN	Watts	Btu/hr	UIN	Watts	Btu/hr	UIN	Watts	Btu/hr
500	560	300	400	145000	147	500	145008	212	725	145016	260	888
	760	300	600	145001	219	748	145009	319	1087	145017	390	1332
	960	300	800	145002	292	998	145010	425	1450	145018	521	1776
	1160	300	1000	145003	366	1248	145011	531	1812	145019	651	2220
	1360	300	1200	145004	439	1498	145012	637	2174	145020	781	2664
	1560	300	1400	145005	512	1748	145013	744	2537	145021	911	3109
	1760	300	1600	145006	585	1996	145014	850	2899	145022	1041	3553
650	1960	300	1800	145007	658	2246	145015	956	3262	145023	1171	3997
	560	450	400	145024	217	740	145032	289	985	145040	358	1220
	760	450	600	145025	325	1110	145033	434	1480	145041	536	1830
	960	450	800	145026	434	1480	145034	578	1973	145042	715	2440
	1160	450	1000	145027	542	1850	145035	723	2465	145043	894	3050
	1360	450	1200	145028	651	2220	145036	867	2958	145044	1073	3660
	1560	450	1400	145029	759	2590	145037	1011	3451	145045	1251	4270
1760	450	1600	145030	868	2961	145038	1156	3946	145046	1430	4880	
800	1960	450	1800	145031	976	3331	145039	1301	4438	145047	1609	5490
	560	600	400	145048	273	932	145056	375	1279	145064	460	1570
	760	600	600	145049	410	1399	145057	562	1917	145065	690	2353
	960	600	800	145050	546	1863	145058	749	2557	145066	920	3139
	1160	600	1000	145051	683	2330	145059	936	3195	145067	1150	3923
	1360	600	1200	145052	820	2797	145060	1123	3833	145068	1379	4706
	1560	600	1400	145053	956	3262	145061	1311	4474	145069	1610	5492
1760	600	1600	145054	1093	3729	145062	1498	5112	145070	1839	6276	
1960	600	1800	145055	1229	4193	145063	1686	5753	145071	2070	7062	

Stelrad LST Range Standard



30 Δt (55/45/20°C)

K1



P+



K2



Casing Height

	Casing Length mm	Emitter Height mm	Emitter Length mm	K1			P+			K2		
				UIN	Watts	Btu/hr	UIN	Watts	Btu/hr	UIN	Watts	Btu/hr
500	560	300	400	145200	101	344	145248	146	499	145224	179	611
	760	300	600	145201	151	515	145249	219	749	145225	269	917
	960	300	800	145202	201	687	145250	293	998	145226	358	1223
	1160	300	1000	145203	252	859	145251	366	1248	145227	448	1529
	1360	300	1200	145204	302	1031	145252	439	1497	145228	538	1834
	1560	300	1400	145205	353	1204	145253	512	1747	145229	627	2140
	1760	300	1600	145206	403	1374	145254	585	1996	145230	717	2446
650	1960	300	1800	145207	453	1546	145255	658	2246	145231	806	2752
	560	450	400	145208	149	510	145256	199	678	145232	246	840
	760	450	600	145209	224	764	145257	299	1019	145233	369	1260
	960	450	800	145210	299	1019	145258	398	1358	145234	492	1680
	1160	450	1000	145211	373	1274	145259	497	1697	145235	615	2100
	1360	450	1200	145212	448	1529	145260	597	2037	145236	739	2520
	1560	450	1400	145213	523	1784	145261	696	2376	145237	862	2940
800	1760	450	1600	145214	597	2038	145262	796	2717	145238	985	3360
	1960	450	1800	145215	672	2293	145263	896	3056	145239	1108	3780
	560	600	400	145216	188	641	145264	258	880	145240	317	1081
	760	600	600	145217	282	963	145265	387	1320	145241	475	1620
	960	600	800	145218	376	1283	145266	516	1761	145242	633	2161
	1160	600	1000	145219	470	1604	145267	645	2200	145243	792	2701
	1360	600	1200	145220	564	1926	145268	774	2639	145244	950	3240
1560	600	1400	145221	658	2246	145269	903	3080	145245	1108	3781	
1760	600	1600	145222	752	2567	145270	1032	3520	145246	1266	4321	
1960	600	1800	145223	846	2887	145271	1161	3961	145247	1425	4862	

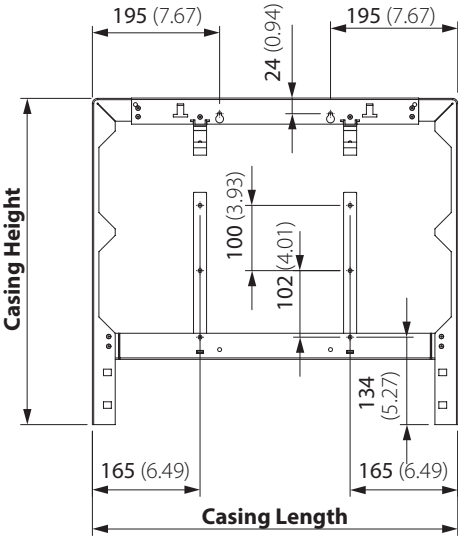
EN 442 Certification Data - CETIAT tested in accordance with BS EN 442

Type	K1			P+			K2		
	500	650	800	500	650	800	500	650	800
Casing Height	500	650	800	500	650	800	500	650	800
Emitter Height	300	450	600	300	450	600	300	450	600
W/m at 75/65/20	489	725	913	710	966	1252	870	1195	1537
n-coefficients	1.19	1.25	1.34	1.24	1.27	1.31	1.27	1.30	1.32
Heated Surface Area (m ² /m)	2.09	3.37	4.66	2.44	3.84	5.24	3.51	5.62	7.74
Weight (kg/m)	17.80	23.50	29.40	22.70	30.72	38.40	24.40	33.30	42.50
Water Contents (l/m)	1.89	2.57	3.25	3.70	5.15	6.60	3.70	5.15	6.60

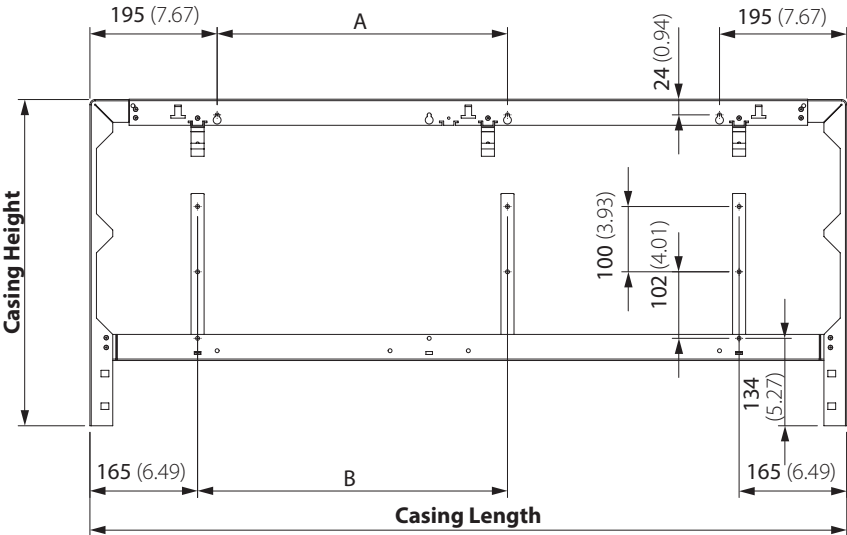
LST Standard wall fixings & bracket positions

All dimensions in mm. Inches in brackets.

Casing Length	Casing Height
560	500
760	650
960	800

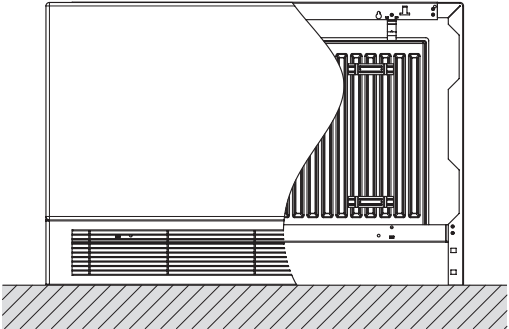


Casing Length	A	B	Casing Height
1160	445	475	500
1360	545	575	650
1560	645	675	800
1760	745	775	
1960	845	875	

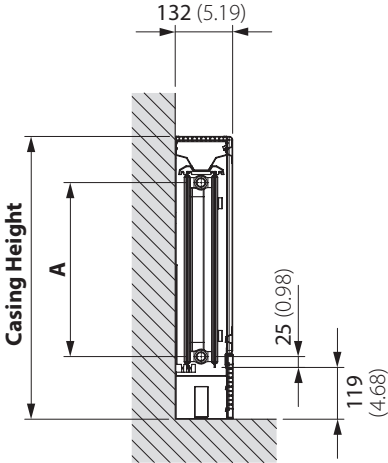


LST Standard connection options

All dimensions in mm. Inches in brackets.



Casing Height	A
500	250
650	400
800	550



LST Standard piping options

