

SAFETY

SERIES

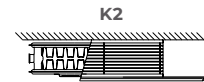
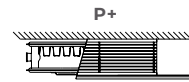
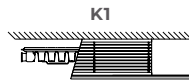


LST i PLUS
DECO
COLOUR

LST i PLUS DECO COLOUR



50 Δ t
(75/65/20°C)



Casing Height mm	Casing Length mm	Emitter Height mm	Emitter Length mm	K1			P+			K2		
				Stelrad UIN	Watts	Btu/hr	Stelrad UIN	Watts	Btu/hr	Stelrad UIN	Watts	Btu/hr
500	650	300	400	255200	196	669	255248	284	969	255224	348	1187
	850	300	600	255201	293	1000	255249	426	1454	255225	522	1781
	1050	300	800	255202	391	1334	255250	568	1938	255226	696	2375
	1250	300	1000	255203	489	1668	255251	710	2423	255227	870	2968
	1450	300	1200	255204	587	2003	255252	852	2907	255228	1044	3562
	1650	300	1400	255205	685	2337	255253	994	3392	255229	1218	4156
	1850	300	1600	255206	782	2668	255254	1136	3876	255230	1392	4750
	2050	300	1800	255207	880	3003	255255	1278	4361	255231	1566	5343
650	650	450	400	255208	290	989	255256	386	1317	255232	478	1631
	850	450	600	255209	435	1484	255257	580	1979	255233	717	2446
	1050	450	800	255210	580	1979	255258	773	2637	255234	956	3262
	1250	450	1000	255211	725	2474	255259	966	3296	255235	1195	4077
	1450	450	1200	255212	870	2968	255260	1159	3955	255236	1434	4893
	1650	450	1400	255213	1015	3463	255261	1352	4613	255237	1673	5708
	1850	450	1600	255214	1160	3958	255262	1546	5275	255238	1912	6524
	2050	450	1800	255215	1305	4453	255263	1739	5933	255239	2151	7339
800	650	600	400	255216	365	1245	255264	501	1709	255240	615	2098
	850	600	600	255217	548	1870	255265	751	2562	255241	922	3146
	1050	600	800	255218	730	2491	255266	1002	3419	255242	1230	4197
	1250	600	1000	255219	913	3115	255267	1252	4272	255243	1537	5244
	1450	600	1200	255220	1096	3740	255268	1502	5125	255244	1844	6292
	1650	600	1400	255221	1278	4361	255269	1753	5981	255245	2152	7343
	1850	600	1600	255222	1461	4985	255270	2003	6834	255246	2459	8390
	2050	600	1800	255223	1643	5606	255271	2254	7691	255247	2767	9441

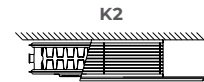
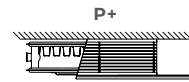
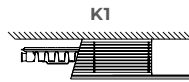
Δ t50 is the UK's industry standard for heating outputs, which has an operating temperature of 75/65/20°C.



LST i PLUS DECO COLOUR



40Δt
(65/55/20°C)



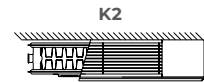
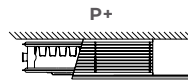
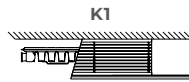
Casing Height mm	Casing Length mm	Emitter Height mm	Emitter Length mm	K1			P+			K2		
				Stelrad UIN	Watts	Btu/hr	Stelrad UIN	Watts	Btu/hr	Stelrad UIN	Watts	Btu/hr
500	650	300	400	255200	147	500	255248	212	725	255224	260	888
	850	300	600	255201	219	748	255249	319	1087	255225	390	1332
	1050	300	800	255202	292	998	255250	425	1450	255226	521	1776
	1250	300	1000	255203	366	1248	255251	531	1812	255227	651	2220
	1450	300	1200	255204	439	1498	255252	637	2174	255228	781	2664
	1650	300	1400	255205	512	1748	255253	744	2537	255229	911	3109
	1850	300	1600	255206	585	1996	255254	850	2899	255230	1041	3553
	2050	300	1800	255207	658	2246	255255	956	3262	255231	1171	3997
650	650	450	400	255208	217	740	255256	289	985	255232	358	1220
	850	450	600	255209	325	1110	255257	434	1480	255233	536	1830
	1050	450	800	255210	434	1480	255258	578	1973	255234	715	2440
	1250	450	1000	255211	542	1850	255259	723	2465	255235	894	3050
	1450	450	1200	255212	651	2220	255260	867	2958	255236	1073	3660
	1650	450	1400	255213	759	2590	255261	1011	3451	255237	1251	4270
	1850	450	1600	255214	868	2961	255262	1156	3946	255238	1430	4880
	2050	450	1800	255215	976	3331	255263	1301	4438	255239	1609	5490
800	650	600	400	255216	273	932	255264	375	1279	255240	460	1570
	850	600	600	255217	410	1399	255265	562	1917	255241	690	2353
	1050	600	800	255218	546	1863	255266	749	2557	255242	920	3139
	1250	600	1000	255219	683	2330	255267	936	3195	255243	1150	3923
	1450	600	1200	255220	820	2797	255268	1123	3833	255244	1379	4706
	1650	600	1400	255221	956	3262	255269	1311	4474	255245	1610	5492
	1850	600	1600	255222	1093	3729	255270	1498	5112	255246	1839	6276
	2050	600	1800	255223	1229	4193	255271	1686	5753	255247	2070	7062



LST i PLUS DECO COLOUR



30Δt
(55/45/20°C)



Casing Height mm	Casing Length mm	Emitter Height mm	Emitter Length mm	K1			P+			K2		
				Stelrad UIN	Watts	Btu/hr	Stelrad UIN	Watts	Btu/hr	Stelrad UIN	Watts	Btu/hr
500	650	300	400	255200	101	344	255248	146	499	255224	179	611
	850	300	600	255201	151	515	255249	219	749	255225	269	917
	1050	300	800	255202	201	687	255250	293	998	255226	358	1223
	1250	300	1000	255203	252	859	255251	366	1248	255227	448	1529
	1450	300	1200	255204	302	1031	255252	439	1497	255228	538	1834
	1650	300	1400	255205	353	1204	255253	512	1747	255229	627	2140
	1850	300	1600	255206	403	1374	255254	585	1996	255230	717	2446
	2050	300	1800	255207	453	1546	255255	658	2246	255231	806	2752
650	650	450	400	255208	149	510	255256	199	678	255232	246	840
	850	450	600	255209	224	764	255257	299	1019	255233	369	1260
	1050	450	800	255210	299	1019	255258	398	1358	255234	492	1680
	1250	450	1000	255211	373	1274	255259	497	1697	255235	615	2100
	1450	450	1200	255212	448	1529	255260	597	2037	255236	739	2520
	1650	450	1400	255213	523	1784	255261	696	2376	255237	862	2940
	1850	450	1600	255214	597	2038	255262	796	2717	255238	985	3360
	2050	450	1800	255215	672	2293	255263	896	3056	255239	1108	3780
800	650	600	400	255216	188	641	255264	258	880	255240	317	1081
	850	600	600	255217	282	963	255265	387	1320	255241	475	1620
	1050	600	800	255218	376	1283	255266	516	1761	255242	633	2161
	1250	600	1000	255219	470	1604	255267	645	2200	255243	792	2701
	1450	600	1200	255220	564	1926	255268	774	2639	255244	950	3240
	1650	600	1400	255221	658	2246	255269	903	3080	255245	1108	3781
	1850	600	1600	255222	752	2567	255270	1032	3520	255246	1266	4321
	2050	600	1800	255223	846	2887	255271	1161	3961	255247	1425	4862

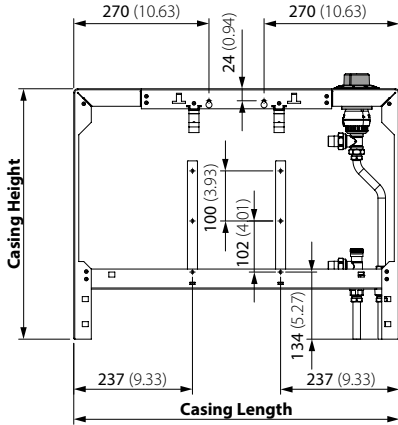


LST i PLUS DECO COLOUR

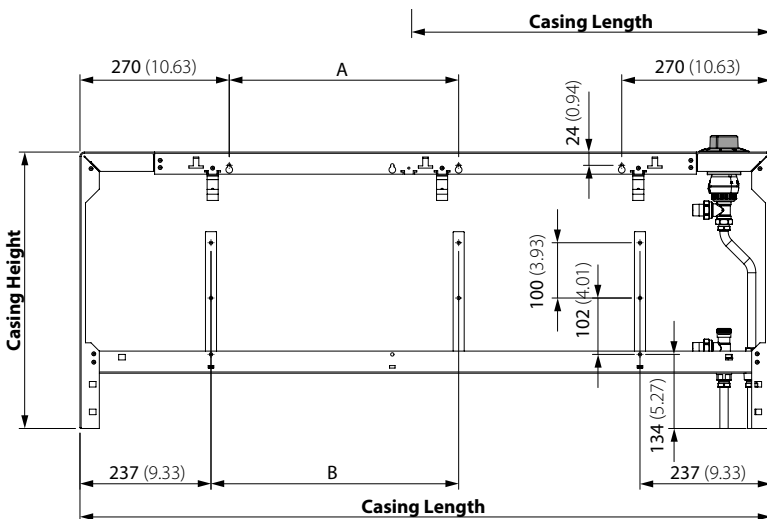


WALL FIXINGS AND BRACKET POSITIONS

All dimensions in mm. Inches in brackets.



Casing Length mm	Casing Height mm
650	500
850	650
1050	800



Casing Length mm	A mm	B mm	Casing Height mm
1250	415	448	500
1450	515	548	650
1650	615	648	800
1850	715	748	
2050	815	848	

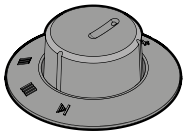
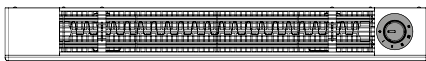
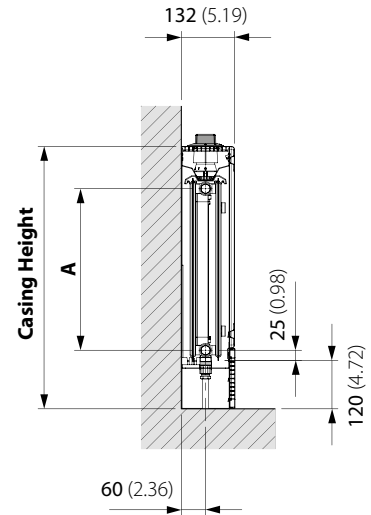
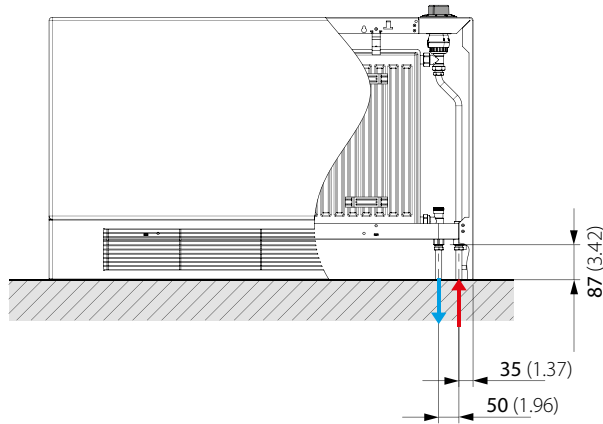
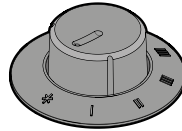
LST i PLUS DECO COLOUR



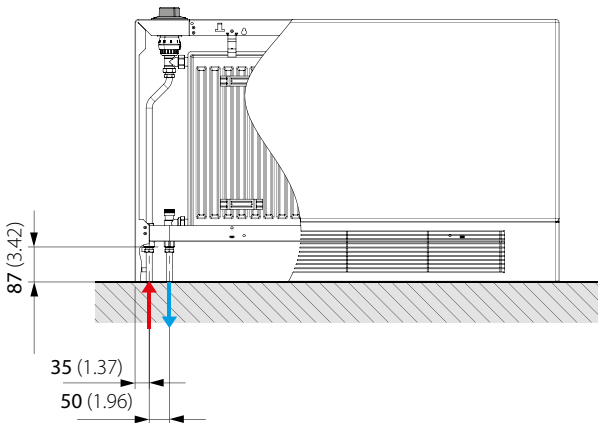
CONNECTION OPTIONS

Each radiator comes with 1/2" inlet connections as standard.
All dimensions in mm. Inches in brackets.

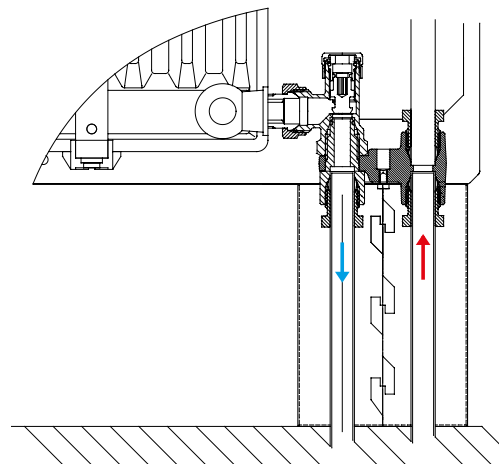
CONTROL ON RIGHT-HAND SIDE



CONTROL ON LEFT-HAND SIDE



PIPE CONFIGURATIONS



EN 442 CERTIFICATION DATA - CETIAT TESTED IN ACCORDANCE WITH BS EN 442

Type	K1			P+			K2		
Casing height	500	650	800	500	650	800	500	650	800
Emitter height	300	450	600	300	450	600	300	450	600
W/m at 75/65/20	489	725	913	710	966	1252	870	1195	1537
n-coefficients	1.19	1.25	1.34	1.24	1.27	1.31	1.27	1.30	1.32
Heated surface area (m ² /m)	2.09	3.37	4.66	2.44	3.84	5.24	3.51	5.62	7.74
Weight (kg/m)	31.18	32.76	37.99	37.18	41.76	48.79	38.38	43.86	51.19
Water contents (l/m)	1.89	2.57	3.25	3.70	5.15	6.60	3.70	5.15	6.60

COMPONENTS



LST i Plus Deco front case view.



LST i Plus Deco inside the casing showing the emitter.



LST i Plus Deco oblong knockout for pipe.



Optional cover cap to discourage unauthorised tampering.



An arthritic adaptor is supplied as standard for special needs environments.



Accommodated within the casing, the Stelrad LST i Plus Deco emitter, with TBSE valve arrangement and 2 x 1/2" BSP connections as standard.



Includes Danfoss RA-2000 TRV and copper pipe configuration.



The remote sensing thermostatic valve gives accuracy of operation and the limiting device is completely hidden to prevent the maximum temperature being exceeded.