

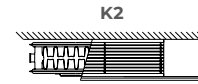
SAFETY

SERIES



LST i PLUS
XTRA
PROTECTION

50 Δt (75/65/20°C)



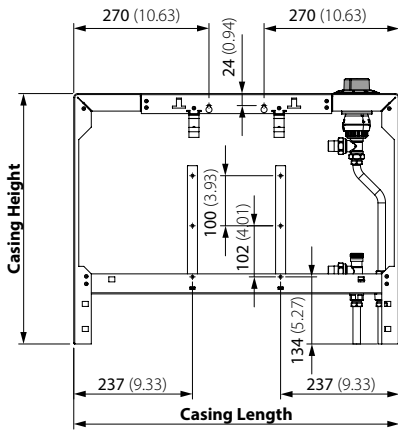
Casing Height mm	Casing Length mm	Emitter Height mm	Emitter Length mm	Stelrad UIN	Heat output Watts	Heat output Btu/hr
650	650	450	400	146232	478	1631
	850	450	600	146233	717	2446
	1050	450	800	146234	956	3262
	1250	450	1000	146235	1195	4077
	1450	450	1200	146236	1434	4893
	1650	450	1400	146237	1673	5708
	1850	450	1600	146238	1912	6524
	2050	450	1800	146239	2151	7339
800	650	600	400	146240	615	2098
	850	600	600	146241	922	3146
	1050	600	800	146242	1230	4197
	1250	600	1000	146243	1537	5244
	1450	600	1200	146244	1844	6292
	1650	600	1400	146245	2152	7343
	1850	600	1600	146246	2459	8390
	2050	600	1800	146247	2767	9441

Δt_{50} is the UK's industry standard for heating outputs, which has an operating temperature of 75/65/20°C. If you have a low temperature heat source you may wish to consider Δt_{40} or Δt_{30} output (see your installer or system designer or download from www.stelrad.com).

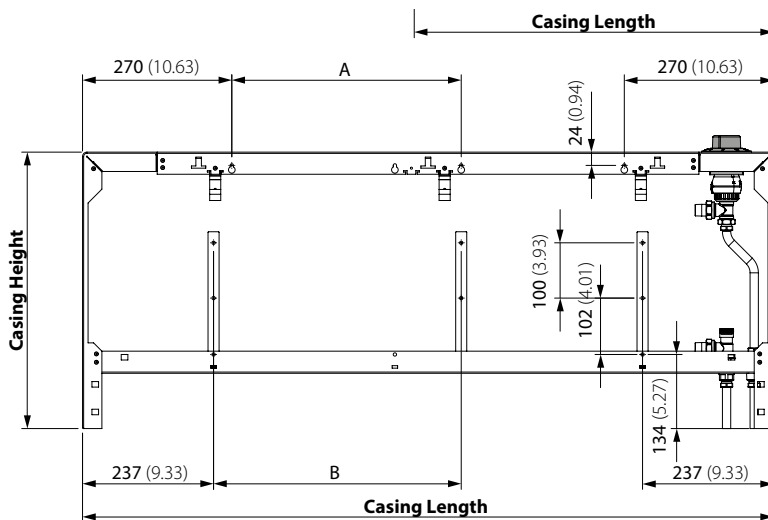
For EN442 data, technical and installation information please visit our website: www.stelrad.com and search product downloads.

WALL FIXINGS AND BRACKET POSITIONS

All dimensions in mm. Inches in brackets.



Casing Length mm	Casing Height mm
650	500
850	650



Casing Length mm	A mm	B mm	Casing Height mm
1250	415	448	500
1450	515	548	650
1650	615	648	800
1850	715	748	
2050	815	848	

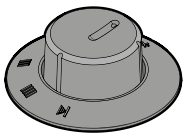
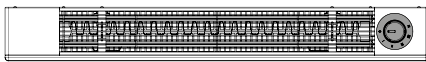
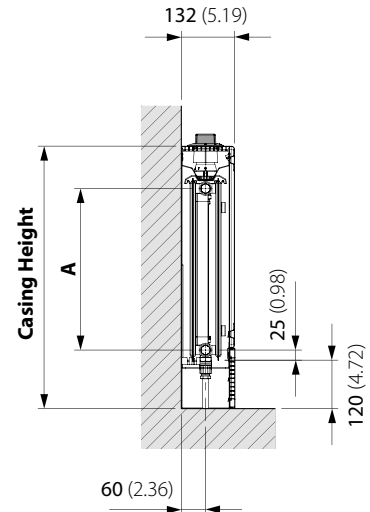
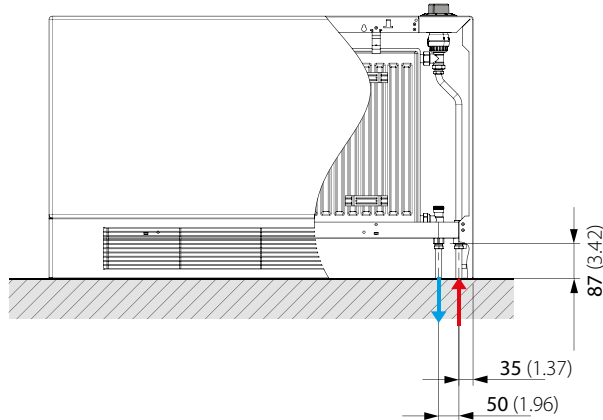
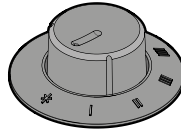
LST i PLUS XTRA PROTECTION



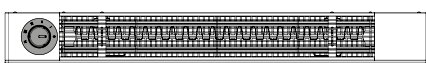
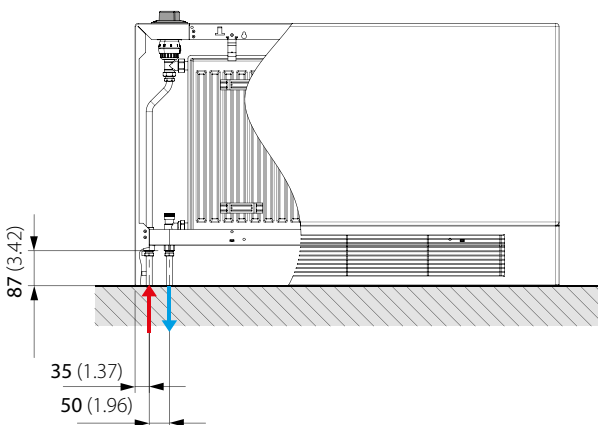
CONNECTION OPTIONS

Each radiator comes with ½" inlet connections as standard.
All dimensions in mm. Inches in brackets.

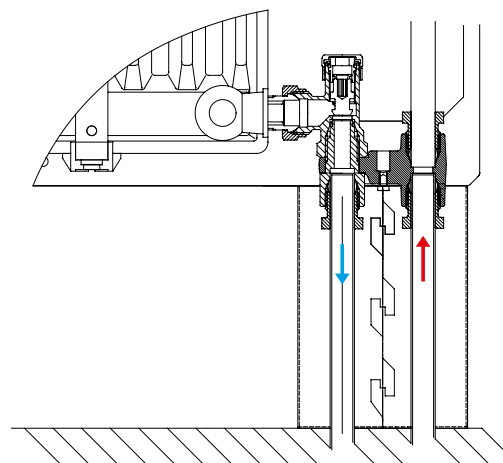
CONTROL ON RIGHT-HAND SIDE



CONTROL ON LEFT-HAND SIDE



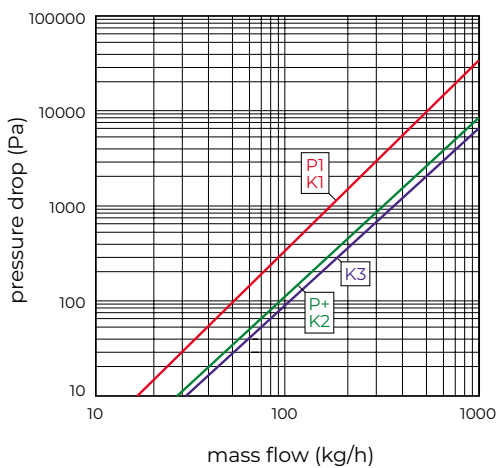
PIPE CONFIGURATIONS



EN 442 CERTIFICATION DATA - CETIAT TESTED IN ACCORDANCE WITH BS EN 442

Type	K2		
Casing height	500	650	800
Emitter height	300	450	600
W/m at 75/65/20	870	1195	1537
n-coefficients	1.27	1.30	1.32
Heated surface area (m ² /m)	3.51	5.62	7.74
Weight (kg/m)	24.40	33.30	42.50
Water contents (l/m)	3.70	5.15	6.60

PRESSURE DROPS



Type	Kv
P1 / K1	1.67
P+ / K2	3.32
K3	3.65

COMPONENTS



LST i Plus Xtra Protection front case view.



LST i Plus Xtra Protection inside the casing showing the emitter.



LST i Plus Xtra Protection oblong knockout for pipe.



Optional cover cap to discourage unauthorised tampering.



An arthritic adaptor is supplied as standard for special needs environments.



Accommodated within the casing, the Stelrad LST i Plus Xtra Protection emitter, with TBSE valve arrangement and 2 x 1/2" BSP connections as standard.



Includes Danfoss RA-2000 TRV and copper pipe configuration.



The remote sensing thermostatic valve gives accuracy of operation and the limiting device is completely hidden to prevent the maximum temperature being exceeded.