

# **ELECTRiC**<sup>®</sup>

SERIES



**ALU SIMPLE  
FLUID**

The Alu Simple Fluid is an oil filled radiator made with slimline and compact vertical flat, double aspect tubes. The Alu Simple Fluid heats up by using an electrical element immersed in thermodynamic oil within the radiator. This maintenance free and specially formulated fluid is designed to distribute the heat quickly and evenly across the radiator, which in turn emits the heat into your room through radiation.

This aluminium radiator has a high heat transfer and a lower surface temperature, so it is practical, user-friendly and ensures the maximum flexibility in terms of use. It is then an excellent solution when different areas of the house have different temperature needs.

Stelrad UIN	Colour	Height mm	Length mm	Heat output		Electric voltage - Frequency	Stelrad price exc. VAT	Stelrad price inc. VAT
				Power (Watts)	Btu/hr			
E016-0580-0440	White	580	440	700	2390	230V - 50Hz	£228.09	£273.71
E016-0580-0600	White	580	600	1000	3414	230V - 50Hz	£269.59	£323.51
E016-0580-0840	White	580	840	1500	5121	230V - 50Hz	£332.10	£398.52
E016-0580-1000	White	580	1000	1800	6145	230V - 50Hz	£373.53	£448.24
E017-0580-0440	Anthracite	580	440	700	2390	230V - 50Hz	£251.31	£301.58
E017-0580-0600	Anthracite	580	600	1000	3414	230V - 50Hz	£300.95	£361.14
E017-0580-0840	Anthracite	580	840	1500	5121	230V - 50Hz	£375.68	£450.82
E017-0580-1000	Anthracite	580	1000	1800	6145	230V - 50Hz	£411.13	£493.35

### Integrated control panel

The colour coordinated push button digital control with an LCD display is located on the top right hand side of the radiator, with numerous functions for efficiency, energy saving and safety in mind.



### Infrared remote control

A colour coordinated hand held digital remote control is available with wall mounting brackets.

### Installation

This radiator must be wall mounted and must not be installed immediately below or in front of a power socket or in contact with the wall or floor. If installed within a bathroom, the radiator must be mounted outside zone 1 and the switch / electric control must be in zone 3.

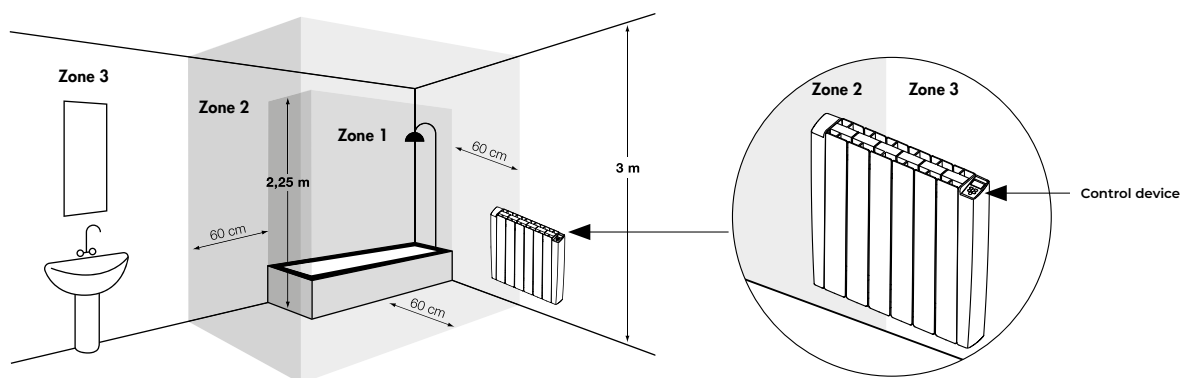
For further information, please visit [stelrad.com](http://stelrad.com)

Please note: the cable entry point is situated on the bottom right-hand side.



### Positioning and installing


- This appliance is designed to heat domestic rooms or similar and to dry towels.
- This appliance is designed to dry towels washed in water only. It must not be used for other purposes.
- The appliance must be used permanently mounted on a wall as described in the instructions.
- Install the appliance with the control device at the bottom right and the control keys towards the front.
- In bathrooms (with bath or shower), install the appliance outside zone 1.
- The appliance must be installed in such a way that the electronic controls and other control devices may not be touched by someone in the bath or shower. The towel warmer must not be connected with a plug.
- This product comes with a 900mm colour coordinated cable (no plug), so it can be spur wired to the heating circuit.
- To avoid all risks for young children, install the appliance with the lowest heating element at least 600 mm from the floor.
- No need to maintain or service this product once installed. However, should any technical problems arise, contact a qualified professional or your local dealer. All operations on the appliance must be carried out by a qualified professional who before performing maintenance must make sure the appliance is turned off, cold and disconnected from the household mains.



### Electrical connection

- To be installed by a specialised engineer in accordance with the applicable standards in the country concerned.
- When the appliance is installed, make sure the power is off and the mains switch is in the “O” position.
- The appliance requires a 230 V ~ 50 Hz power supply. Make sure the power line is appropriate for the data shown on the appliance’s rating plate.

Voltage: 230 V~ 50 Hz

Insulation class: II 

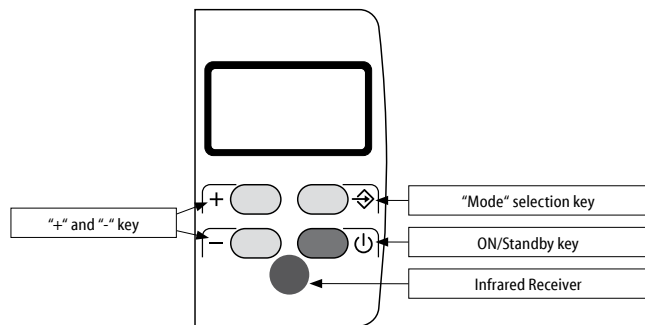
Protection class IP24

Power (W)	Length (cm)	Height (cm)	Weight (kg)	Rated Current (A)
700	44	58	10	3
1000	60	58	13	4.5
1500	84	58	19	6.5
1800	100	58	23	8

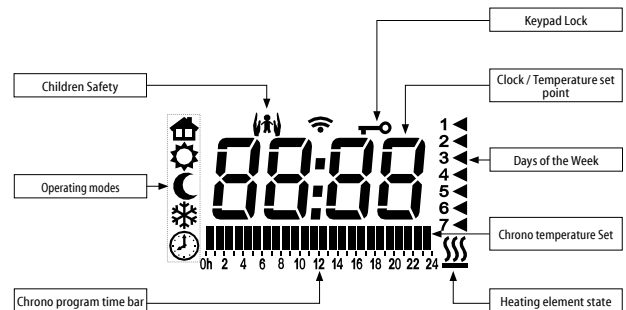
- Make sure the fixed power line is fitted with a disconnecting switch allowing the appliance to be disconnected completely from the household mains, included the Pilot Wire, when present, in accordance with the wiring rules.
- If the appliance is installed in a bathroom, the power line must be fitted with a 30 mA RCD (high sensitivity residual current protection device). The power supply line and Pilot Wire control unit must be protected by the same RCD.
- Permanently connected appliances must be connected using a connector block placed within a proper junction box.
- When installing the appliance in damp rooms (kitchen, bathroom), the point of connection with the household mains must be at least 25 cm from the floor.
- If the Pilot Wire is not connected to the programming unit, it must be terminated and insulated. Under no circumstances should the Pilot Wire be connected to the earth.
- Make sure the power cable cannot in any way come into contact with the surface of the appliance.

### Controls

#### Control Panel



#### Display



### Operating modes (for the Control Panel and Remote Control)

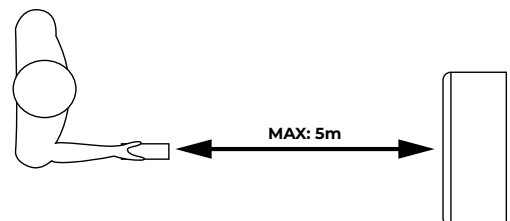


### Functions (for the Control Panel and Remote Control)

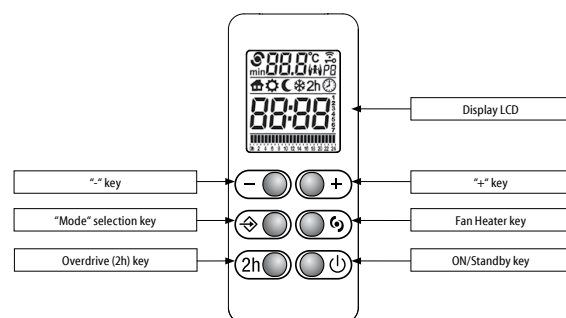


### Remote control

The remote control communicates with the appliance by infrared rays. For efficient communication, point the remote control at the receiver on the appliance). The distance between the remote control and the receiver must not be more than 5m.



The appliance responds to the commands received from the remote control with a beep lasting about 2 seconds.



### Display

