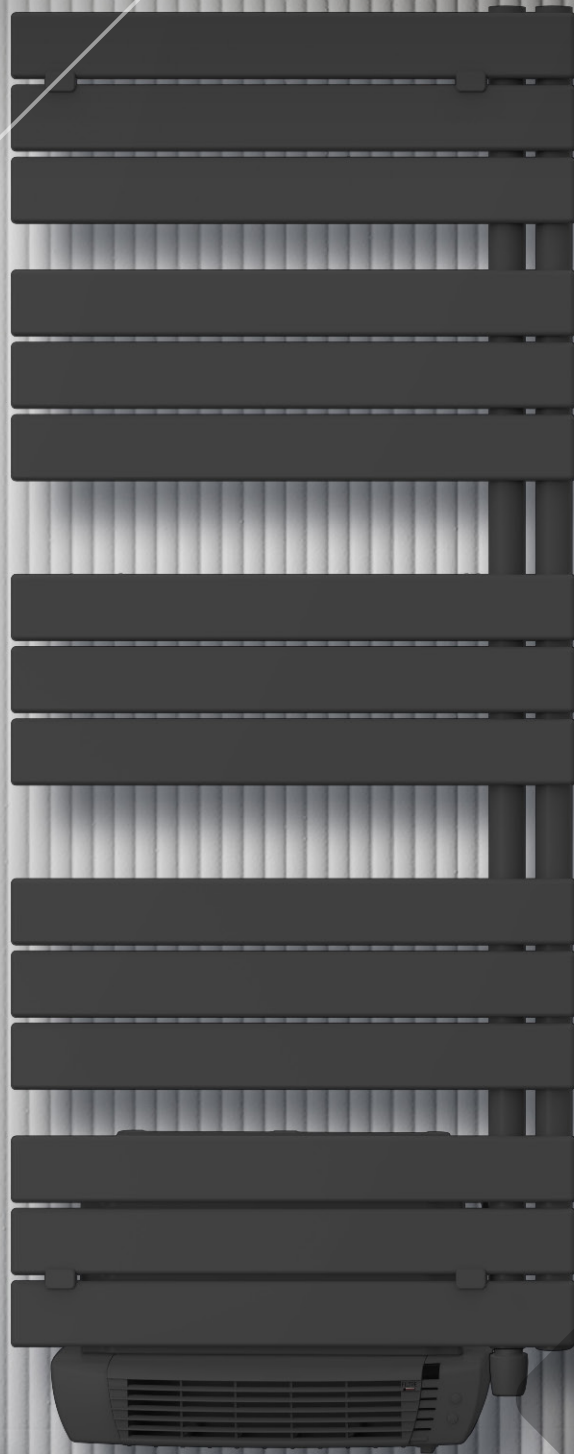


ELECTRiC[®]
SERIES



**AGATA
E-FLOW**

The Agata E-Flow is a straight, flat tube electric towel rail design, featuring five banks of three tubes with spaces between each bank, offering a modern asymmetric design. It combines contemporary design with functional heating and energy saving features.

E-Flow technology gives you three impressive products in one, adding the advantages of a traditional electric fan heater to the Elegance towel radiator. The fan heater can be used alone to heat small rooms quickly and efficiently, in combination with the towel warmer to increase output, or as just a towel radiator.

The flat steel 22mm tubes are filled with a fluid which is heated up using an electrical element immersed in the fluid inside. This maintenance free and specially formulated fluid is designed to distribute the heat quickly and evenly across the towel radiator, which in turn emits the heat into your room through radiation.

| Stelrad UIN | Colour | Height mm | Length mm | Heat output (Towel radiator) | | Heat output (Fan) | | Electric voltage - Frequency | Stelrad price exc. VAT | Stelrad price inc. VAT |
|----------------|------------|-----------|-----------|------------------------------|--------|-------------------|--------|------------------------------|------------------------|------------------------|
| | | | | Power (Watts) | Btu/hr | Power (Watts) | Btu/hr | | | |
| E011-1203-0600 | White | 1203 | 600 | 500 | 1707 | 1000 | 3414 | 230V - 50Hz | £535.82 | £642.98 |
| E011-1528-0600 | White | 1528 | 600 | 700 | 2390 | 1000 | 3414 | 230V - 50Hz | £639.28 | £767.14 |
| E011-1852-0600 | White | 1852 | 600 | 1000 | 3414 | 1000 | 3414 | 230V - 50Hz | £715.31 | £858.37 |
| E012-1203-0600 | Anthracite | 1203 | 600 | 500 | 1707 | 1000 | 3414 | 230V - 50Hz | £543.61 | £652.34 |
| E012-1528-0600 | Anthracite | 1528 | 600 | 700 | 2390 | 1000 | 3414 | 230V - 50Hz | £600.69 | £720.82 |
| E012-1852-0600 | Anthracite | 1852 | 600 | 1000 | 3414 | 1000 | 3414 | 230V - 50Hz | £676.11 | £811.34 |

Integrated control panel

The colour coordinated push button control on the E-Flow fan heater is located at the base of the electric towel radiator, with numerous functions for efficiency, energy saving and safety in mind.



Infrared remote control

A colour coordinated hand held digital remote control is available with wall mounting brackets.

Installation

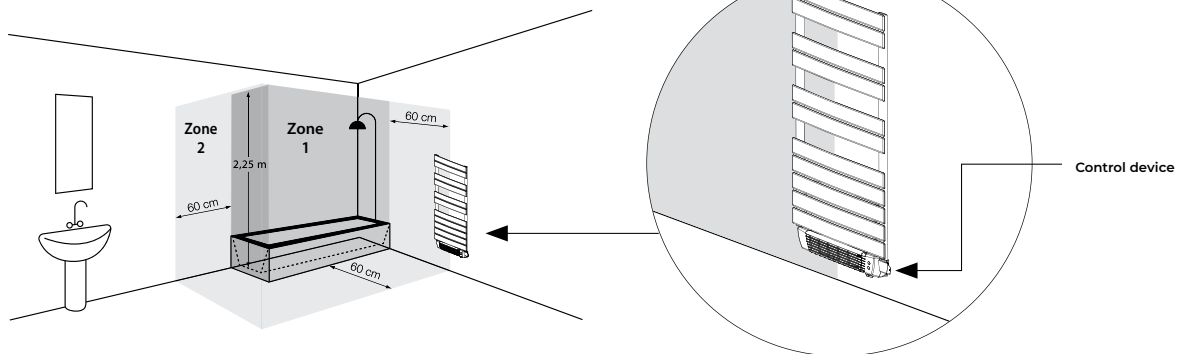
This radiator must be wall mounted and must not be installed immediately below or in front of a power socket or in contact with the wall or floor. If installed within a bathroom, the radiator must be mounted outside zone 1 and the switch / electric control must be in zone 3.

Please note: the cable entry point is situated on the bottom right-hand side.



Positioning and installing


- This appliance is designed to heat domestic rooms or similar and to dry towels.
- This appliance is designed to dry towels washed in water only. It must not be used for other purposes.
- The appliance must be used permanently mounted on a wall as described in the instructions.
- Do not install the appliance with the fan facing upwards.
- In bathrooms (with bath or shower), install the appliance outside zone 1.
- The appliance must be installed in such a way that the electronic controls and other control devices may not be touched by someone in the bath or shower. The towel warmer must not be connected with a plug.
- This product comes with a 900mm colour coordinated cable (no plug), so it can be spur wired to the heating circuit.
- To avoid all risks for young children, install the appliance with the lowest heating element at least 600 mm from the floor.
- No need to maintain or service this product once installed. However, should any technical problems arise, contact a qualified professional or your local dealer. All operations on the appliance must be carried out by a qualified professional who before performing maintenance must make sure the appliance is turned off, cold and disconnected from the household mains.



Electrical connection

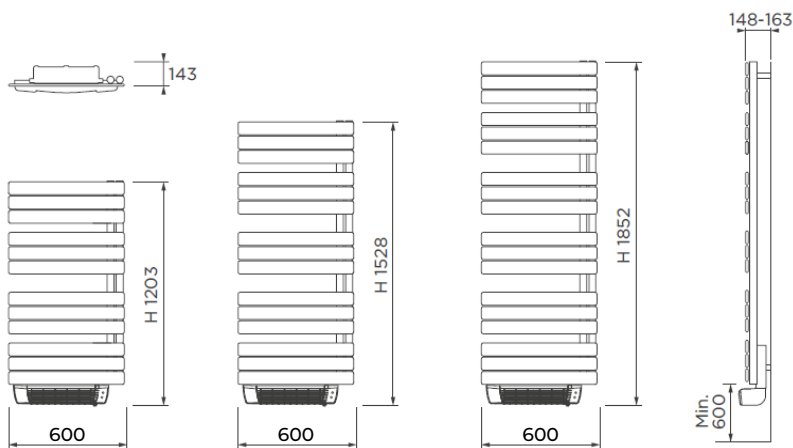
- To be installed by a specialised engineer in accordance with the applicable standards in the country concerned.
- When the appliance is installed, make sure the power is off and the mains switch is in the “O” position.
- The appliance requires a 230 V ~ 50 Hz power supply. Make sure the power line is appropriate for the data shown on the appliance’s rating plate.

Voltage: 230 V~ 50 Hz

Insulation class: II 

Protection class IP24

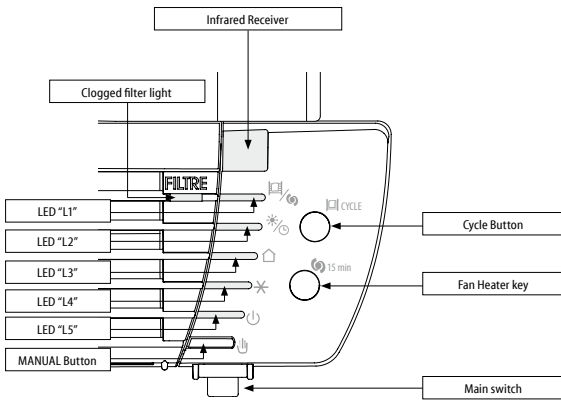
| Total power (W) | Total warmer + fan power (W) | Model with asymmetrical flat tube | | |
|-----------------|------------------------------|-----------------------------------|----------|----------|
| | | Size (l x h mm) | A (l) mm | B (h) mm |
| 1500 | 500+1000 | 600 x 1203 | 410 | 985 |
| 1700 | 700+1000 | 600 x 1528 | 410 | 1310 |
| 2000 | 1000+1000 | 600 x 1852 | 410 | 1635 |



- Make sure the fixed power line is fitted with a disconnecting switch allowing the appliance to be disconnected completely from the household mains, included the Pilot Wire, when present, in accordance with the wiring rules.
- If the appliance is installed in a bathroom, the power line must be fitted with a 30 mA RCD (high sensitivity residual current protection device). The power supply line and Pilot Wire control unit must be protected by the same RCD.
- Permanently connected appliances must be connected using a connector block placed within a proper junction box.
- When installing the appliance in damp rooms (kitchen, bathroom), the point of connection with the household mains must be at least 25 cm from the floor.
- If the Pilot Wire is not connected to the programming unit, it must be terminated and insulated. Under no circumstances should the Pilot Wire be connected to the earth.
- Make sure the power cable cannot in any way come into contact with the surface of the appliance.

Controls

Control Panel



Control Panel LEDs

| | | | |
|------|----------------------------|--|-------|
| "L1" | Cycle, Fan | | Green |
| "L2" | Comfort, Night/Eco, Chrono | | Green |
| "L3" | Pilot Wire | | Green |
| "L4" | Anti-Freeze, Open Window | | Green |
| "L5" | Standby | | Red |

Operating modes (for the Control Panel and Remote Control)

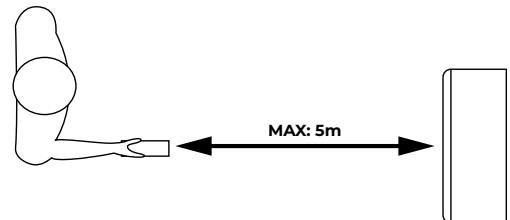
Pilot Wire (n/a in the UK) Comfort Night / Eco Chrono Anti-freeze Standby

Functions (for the Control Panel and Remote Control)

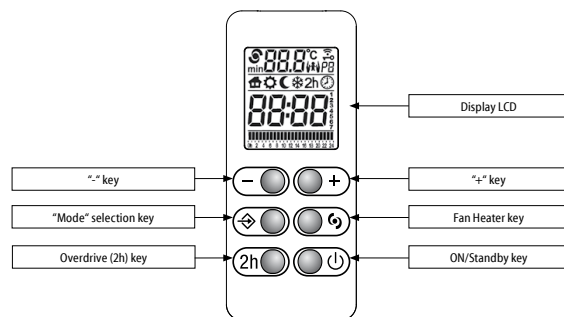
Cycle Fan heater Open window Child safety Override Keypad lock

Remote control

The remote control communicates with the appliance by infrared rays. For efficient communication, point the remote control at the receiver on the appliance). The distance between the remote control and the receiver must not be more than 5m.



The appliance responds to the commands received from the remote control with a beep lasting about 2 seconds.



Display

