

VITA

SERIES



SILHOUETTE

50 Δ t
(75/65/20°C)

K1



K2



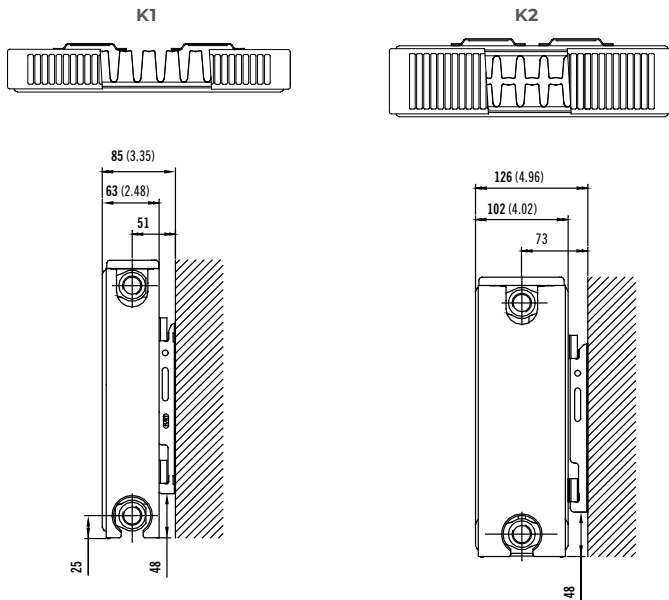
Height mm	Length mm	Stelrad UIN	Heat output		Stelrad UIN	Heat output	
			Watts	Btu/h		Watts	Btu/h
300	500	92301105	235	802	92302205	449	1532
	1000	92301110	470	1604	92302210	898	3064
	1500	92301115	705	2405	92302215	1347	4596
450	400	92451104	272	928	92452204	509	1737
	600	92451106	409	1396	92452206	764	2607
	700	92451107	477	1628	92452207	891	3040
	800	92451108	545	1860	92452208	1018	3473
	900	92451109	613	2092	92452209	1146	3910
	1000	92451110	681	2,324	92452210	1273	4343
	1100	92451111	749	2556	92452211	1400	4777
	1200	92451112	817	2788	92452212	1528	5214
	1400	92451114	953	3252	92452214	1782	6080
	1600	92451116	1090	3719	92452216	2037	6950
1800	92451118	1226	4183	92452218	2291	7817	
600	400	92601104	348	1187	92602204	640	2184
	600	92601106	522	1781	92602206	961	3279
	700	92601107	609	2078	92602207	1121	3825
	800	92601108	696	2375	92602208	1281	4371
	900	92601109	783	2672	92602209	1441	4917
	1000	92601110	870	2968	92602210	1601	5463
	1100	92601111	957	3265	92602211	1761	6009
	1200	92601112	1044	3562	92602212	1921	6554
	1400	92601114	1218	4156	92602214	2241	7646
	1600	92601116	1392	4750	92602216	2562	8742
	1800	92601118	1566	5343	92602218	2882	9833
	2000	92601120	1740	5937	92602220	3202	10925

Δ t50 is the UK's industry standard for heating outputs, which has an operating temperature of 75/65/20°C. If you have a low temperature heat source you may wish to consider Δ t40 or Δ t30 output (see your installer or system designer or download from www.stelrad.com).

For EN442 data, technical and installation information please visit our website: www.stelrad.com and search product downloads.

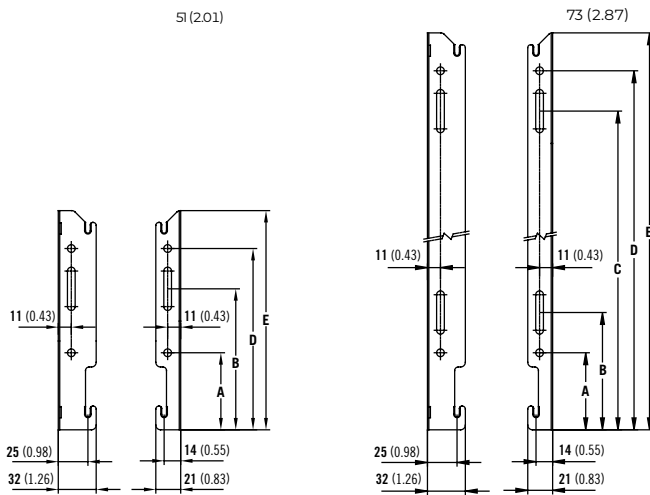
WALL MOUNTING AND LUG INFORMATION

All dimensions in mm. Inches in brackets.



MOUNTING BRACKETS

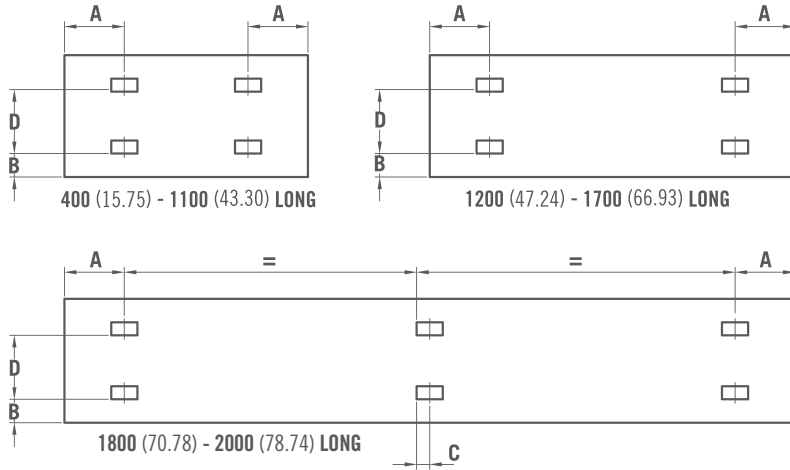
All dimensions in mm. Inches in brackets. Floor mounting brackets available.



Dimensions	mm	inches	mm	inches	mm	inches
Height	300	11.81	450	17.72	600	23.62
A	65	2.56	65	2.56	65	2.56
B	119	4.69	99	3.90	99	3.90
C	-	-	269	10.59	419	16.50
D	153	6.02	303	11.93	453	17.83
E	185	7.28	335	13.19	485	19.09

K1 & K2 LUG POSITIONS

All dimensions in mm. Inches in brackets.



PANEL HEIGHT		D	
mm	in	mm	in
300	11.81	155	6.10
450	17.72	305	12.01
600	23.62	455	17.91
700	27.56	555	21.95

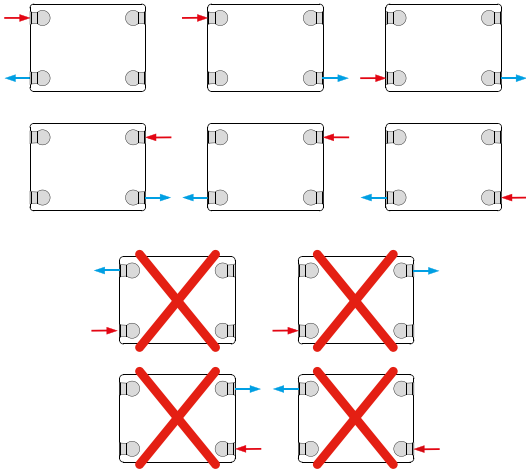
Dimensions	K1		K2	
	mm	in	mm	in
A 400mm	117	4.61	133	5.24
A 500 - 2000mm	150	5.91	133	5.24
B 400 - 2000mm	60	2.36	60	2.36
C 1800 - 2000mm	17	0.67	L/2	L/2

L/2 is the length divided by two.

CONNECTIONS

Each radiator comes with ½" inlet connections as standard.

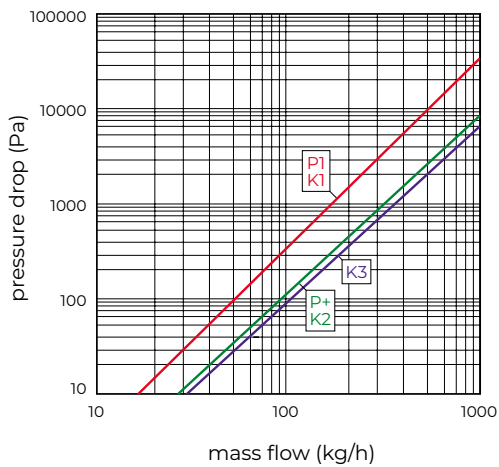
PIPING OPTIONS



EN 442 CERTIFICATION DATA - CETIAT TESTED IN ACCORDANCE WITH BS EN 442

Type	K1			K2		
	300	450	600	300	450	600
Height	300	450	600	300	450	600
W/m at 75/65/20	470	681	870	898	1273	1601
n-coefficients	1.26	1.27	1.28	1.30	1.30	1.31
Weight (kg/m)	14.13	18.22	24.27	19.30	28.85	38.40
Water contents (l/m)	1.81	2.53	3.23	3.10	4.65	6.20
K_{vs}	3.37	4.67	5.89	5.60	7.69	9.37

PRESSURE DROPS



Type	Kv
P1 / K1	1.67
P+ / K2	3.32
K3	3.65