

VITA SERIES

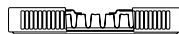


COMPACT

50 Δt

(75/65/20°C)

K1



P+



K2



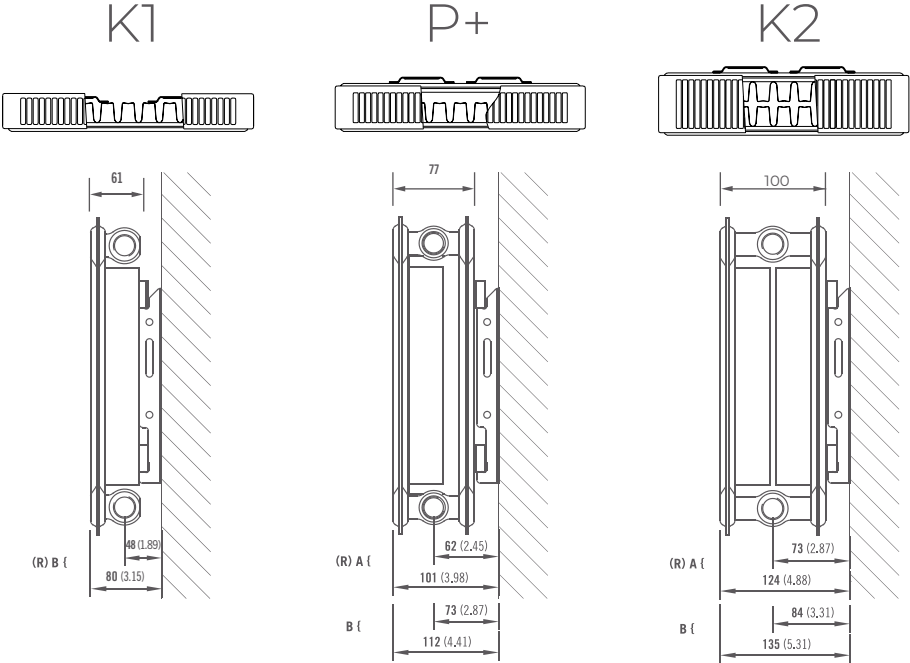
Height mm	Length mm	K1			P+			K2		
		Stelrad UIN	Heat output Watts	Heat output Btu/hr	Stelrad UIN	Heat output Watts	Heat output Btu/hr	Stelrad UIN	Heat output Watts	Heat output Btu/hr
300	500	76301105	247	843	-	-	-	76302205	491	1676
	1000	76301110	494	1686	-	-	-	76302210	982	3352
	1500	76301115	741	2528	-	-	-	76302215	1473	5027
	2000	76301120	988	3371	-	-	-	76302220	1964	6703
450	400	76451104	286	977	76452104	422	1440	76452204	548	1870
	500	76451105	358	1221	76452105	528	1801	76452205	686	2341
	600	76451106	430	1466	76452106	633	2161	76452206	823	2809
	700	76451107	501	1710	76452107	739	2522	76452207	960	3276
	800	76451108	573	1954	76452108	844	2882	76452208	1097	3744
	900	76451109	644	2199	76452109	950	3242	76452209	1234	4212
	1000	76451110	716	2443	76452110	1055	3601	76452210	1371	4679
	1100	76451111	788	2687	76452111	1161	3962	76452211	1508	5147
	1200	76451112	859	2932	76452112	1266	4321	76452212	1645	5614
	1400	76451114	1002	3420	76452114	1477	5041	76452214	1920	6550
	1600	76451116	1146	3909	76452116	1688	5761	76452216	2195	7488
	1800	76451118	1289	4397	76452118	1900	6485	76452218	2469	8423
2000	76451120	1432	4886	-	-	-	76452220	2743	9359	
600	300	76601103	277	945	-	-	-	-	-	-
	400	76601104	369	1260	76602104	538	1836	76602204	693	2365
	500	76601105	462	1575	76602105	673	2297	76602205	866	2956
	600	76601106	554	1890	76602106	807	2754	76602206	1039	3546
	700	76601107	646	2204	76602107	942	3215	76602207	1212	4137
	800	76601108	738	2519	76602108	1076	3672	76602208	1386	4730
	900	76601109	831	2834	76602109	1211	4133	76602209	1559	5321
	1000	76601110	923	3149	76602110	1345	4590	76602210	1732	5911
	1100	76601111	1015	3464	76602111	1480	5051	76602211	1906	6502
	1200	76601112	1108	3779	76602112	1615	5509	76602212	2078	7092
	1400	76601114	1292	4409	76602114	1884	6427	76602214	2426	8277
	1600	76601116	1477	5039	76602116	2153	7345	76602216	2772	9457
1800	76601118	1661	5669	76602118	2421	8260	76602218	3119	10642	
2000	76601120	1846	6299	-	-	-	76602220	3465	11823	
700	400	76701104	421	1436	-	-	-	76702204	784	2676
	500	76701105	526	1795	76702105	765	2610	76702205	981	3348
	600	76701106	631	2154	76702106	918	3132	76702206	1177	4017
	700	76701107	736	2513	76702107	1071	3654	76702207	1373	4686
	800	76701108	842	2872	76702108	1224	4176	76702208	1569	5355
	900	76701109	947	3230	76702109	1377	4698	76702209	1765	6024
	1000	76701110	1052	3589	76702110	1530	5220	76702210	1962	6693
	1100	76701111	1157	3948	-	-	-	76702211	2158	7362
	1200	76701112	1262	4307	-	-	-	76702212	2354	8031
	1400	76701114	1473	5025	-	-	-	76702214	2746	9369
	1600	76701116	1683	5743	-	-	-	76702216	3139	10710
	1800	76701118	1894	6461	-	-	-	76702218	3531	12048
2000	76701120	2104	7179	-	-	-	76702220	3923	13387	

Δt_{50} is the UK's industry standard for heating outputs, which has an operating temperature of 75/65/20°C. If you have a low temperature heat source you may wish to consider Δt_{40} or Δt_{30} output (see your installer or system designer or download from www.stelrad.com).

For EN442 data, technical and installation information please visit our website: www.stelrad.com and search product downloads.

WALL MOUNTING AND LUG INFORMATION

All dimensions in mm. Inches in brackets.

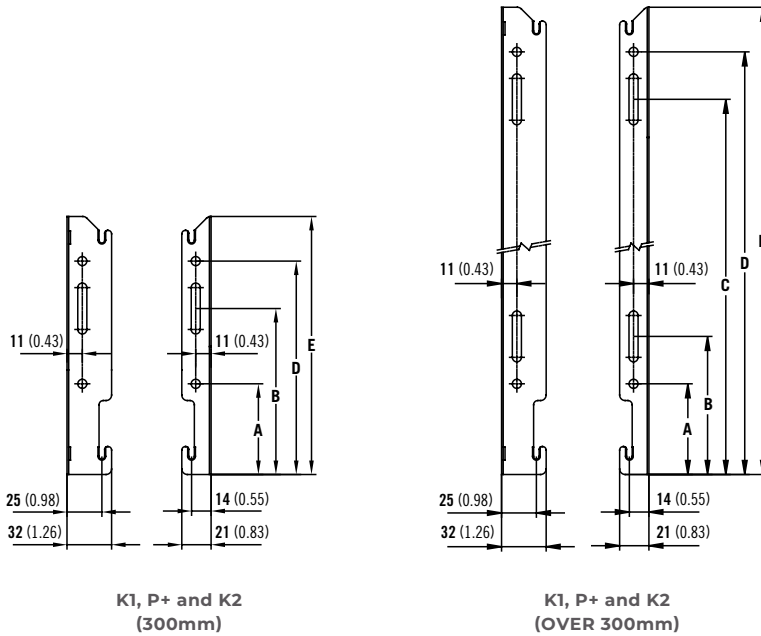


Compact bracket position. A = Closest to wall / B = Furthest from wall / (R) = Recommended mounting position

K1 long only - position B. P+ and K2 can be position A or B.

MOUNTING BRACKETS

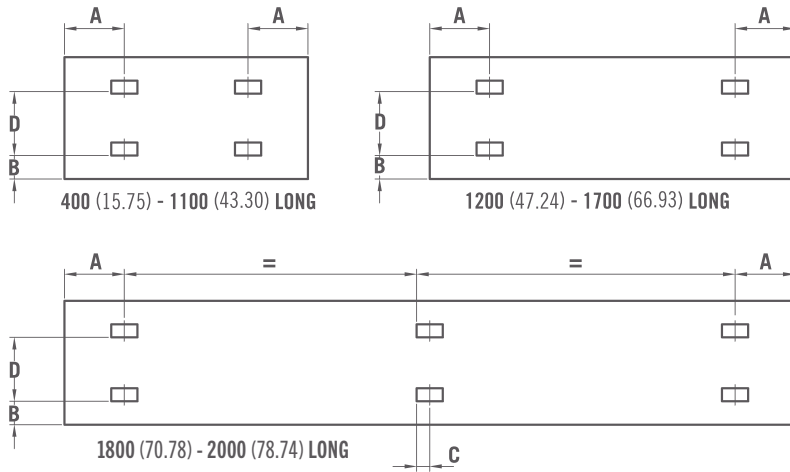
All dimensions in mm. Inches in brackets.
Floor mounting brackets available.



K1, P+ AND K2 (300mm)

Dimensions	mm	inches	mm	inches	mm	inches	mm	inches
Height	300	11.81	450	17.72	600	23.62	700	27.56
A	65	2.56	65	2.56	65	2.56	65	2.56
B	119	4.69	99	3.90	99	3.90	99	3.90
C	-	-	269	10.59	419	16.50	519	20.43
D	153	6.02	303	11.93	453	17.83	553	21.77
E	185	7.28	335	13.19	485	19.09	585	23.03

K1, P+ AND K2 LUG POSITION



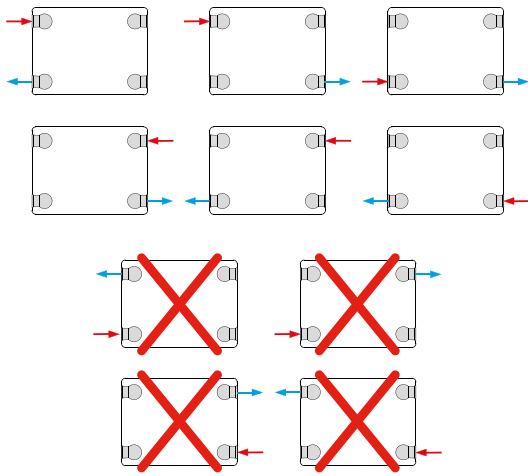
PANEL HEIGHT				D		K1		P+ & K2	
mm	in	mm	in	mm	in	mm	in	mm	in
300	11.81	155	6.10	A	400mm	117	4.61	133	5.24
450	17.72	305	12.01	A	500 - 2000mm	150	5.91	133	5.24
600	23.62	455	17.91	B	400 - 2000mm	60	2.36	60	2.36
700	27.56	555	21.95	C	1800 - 2000mm	17	0.67	L/2	L/2

L/2 is the length divided by two.

CONNECTIONS

Each radiator comes with 1/2" inlet connections as standard.

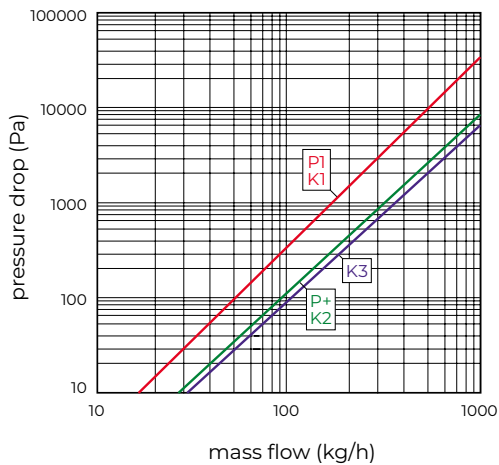
COMPACT PIPING OPTIONS



EN 442 CERTIFICATION DATA - CETIAT TESTED IN ACCORDANCE WITH BS EN 442

Type	K1				P+		K2			
	300	450	600	700	450	600	300	450	600	700
Height	300	450	600	700	450	600	300	450	600	700
W/m at 75/65/20	494	716	923	1052	1055	1345	982	1371	1732	1961
n-coefficients	1.27	1.28	1.29	1.31	1.33	1.34	1.33	1.33	1.33	1.34
Heated surface area (m ² /m)	1.75	2.82	3.87	4.58	3.84	5.24	3.51	5.62	7.74	9.15
Weight (kg/m)	8.16	12.80	17.45	20.05	22.04	29.8	16.8	25.9	35	40.53
Water contents (l/m)	1.88	2.59	3.30	3.80	5.15	6.60	3.70	5.15	6.60	7.63
Wall to tap centre (mm)	48	48	48	48	62	62	73	73	73	73

PRESSURE DROPS



Type	Kv
P1 / K1	1.67
P+ / K2	3.32
K3	3.65