

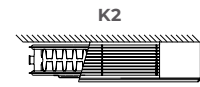
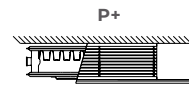
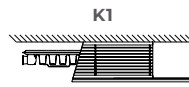
SAFETY

SERIES



LST STANDARD
DECO

50Δt
(75/65/20°C)



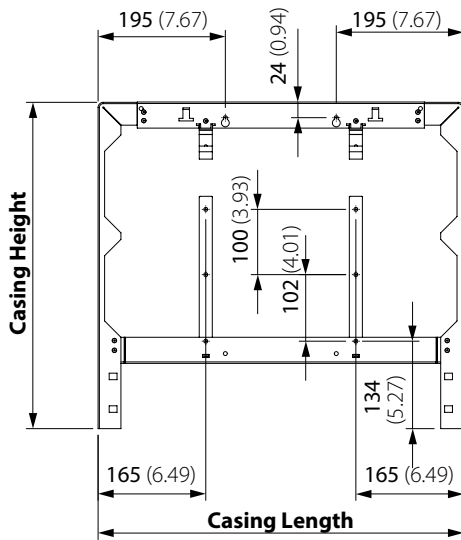
Casing Height mm	Casing Length mm	Emitter Height mm	Emitter Length mm	K1			P+			K2		
				Stelrad UIN	Watts	Btu/hr	Stelrad UIN	Watts	Btu/hr	Stelrad UIN	Watts	Btu/hr
500	560	300	400	245000	196	669	245008	284	969	245016	348	1187
	760	300	600	245001	293	1000	245009	426	1454	245017	522	1781
	960	300	800	245002	391	1334	245010	568	1938	245018	696	2375
	1160	300	1000	245003	489	1668	245011	710	2423	245019	870	2968
	1360	300	1200	245004	587	2003	245012	852	2907	245020	1044	3562
	1560	300	1400	245005	685	2337	245013	994	3392	245021	1218	4156
	1760	300	1600	245006	782	2668	245014	1136	3876	245022	1392	4750
	1960	300	1800	245007	880	3003	245015	1278	4361	245023	1566	5343
650	560	450	400	245024	290	989	245032	386	1317	245040	478	1631
	760	450	600	245025	435	1484	245033	580	1979	245041	717	2446
	960	450	800	245026	580	1979	245034	773	2637	245042	956	3262
	1160	450	1000	245027	725	2474	245035	966	3296	245043	1195	4077
	1360	450	1200	245028	870	2968	245036	1159	3955	245044	1434	4893
	1560	450	1400	245029	1015	3463	245037	1352	4613	245045	1673	5708
	1760	450	1600	245030	1160	3958	245038	1546	5275	245046	1912	6524
	1960	450	1800	245031	1305	4453	245039	1739	5933	245047	2151	7339
800	460	600	300	245072	274	935	-	-	-	245073	461	1573
	560	600	400	245048	365	1245	245056	501	1709	245064	615	2098
	760	600	600	245049	548	1870	245057	751	2562	245065	922	3146
	960	600	800	245050	730	2491	245058	1002	3419	245066	1230	4197
	1160	600	1000	245051	913	3115	245059	1252	4272	245067	1537	5244
	1360	600	1200	245052	1096	3740	245060	1502	5125	245068	1844	6292
	1560	600	1400	245053	1278	4361	245061	1753	5981	245069	2152	7343
	1760	600	1600	245054	1461	4985	245062	2003	6834	245070	2459	8390
	1960	600	1800	245055	1643	5606	245063	2254	7691	245071	2767	9441

Δt50 is the UK's industry standard for heating outputs, which has an operating temperature of 75/65/20°C. If you have a low temperature heat source you may wish to consider Δt40 or Δt30 output (see your installer or system designer or download from www.stelrad.com).

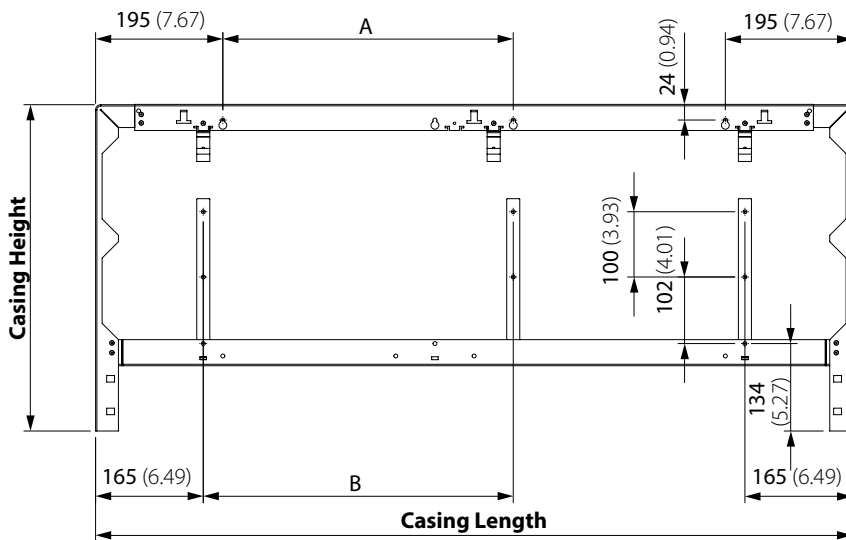
For EN442 data, technical and installation information please visit our website: www.stelrad.com and search product downloads.

WALL FIXINGS & BRACKET POSITIONS

All dimensions in mm. Inches in brackets.



Casing Length mm	Casing Height mm
560	500
760	650
760	800



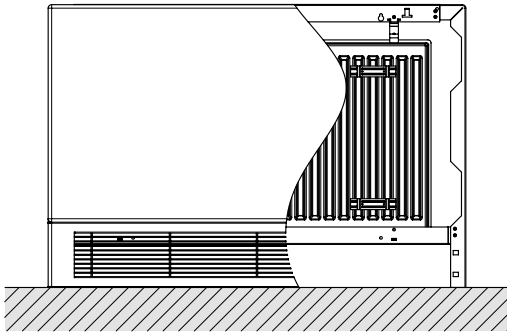
Casing Length mm	A mm	B mm	Casing Height mm
1160	445	475	500
1360	545	575	650
1560	645	675	800
1760	745	775	
1960	745	875	

CONNECTIONS

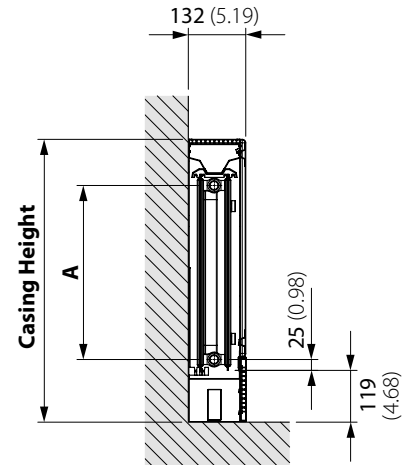
Each radiator comes with 1/2" inlet connections as standard.

CONNECTION OPTIONS

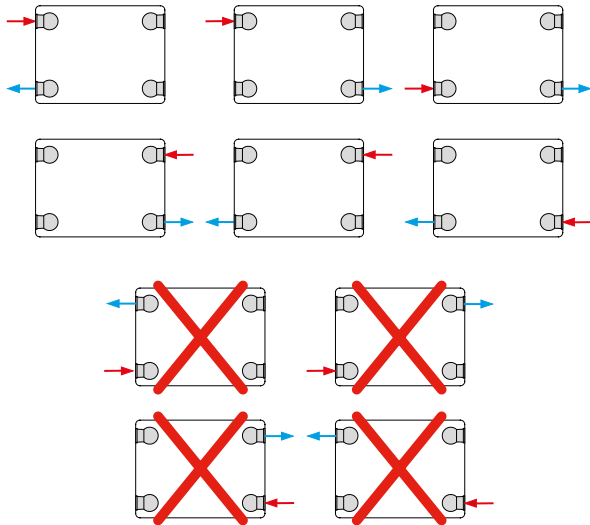
Each radiator comes with 1/2" inlet connections as standard.
All dimensions in mm. Inches in brackets.



Casing Height mm	A mm
500	250
650	400
800	550



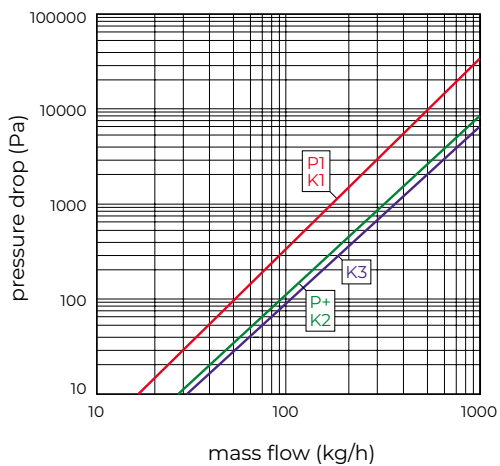
PIPING OPTIONS



EN 442 CERTIFICATION DATA - CETIAT TESTED IN ACCORDANCE WITH BS EN 442

Type	K1			P+			K2		
	500	650	800	500	650	800	500	650	800
Casing height	500	650	800	500	650	800	500	650	800
Emitter height	300	450	600	300	450	600	300	450	600
W/m at 75/65/20	489	725	913	710	966	1252	870	1195	1537
n-coefficients	1.19	1.25	1.34	1.24	1.27	1.31	1.27	1.30	1.32
Heated surface area (m ² /m)	2.09	3.37	4.66	2.44	3.84	5.24	3.51	5.62	7.74
Weight (kg/m)	17.80	23.50	29.40	22.70	30.72	38.40	24.40	33.30	42.50
Water contents (l/m)	1.89	2.57	3.25	3.70	5.15	6.60	3.70	5.15	6.60

PRESSURE DROPS



Type	Kv
P1 / K1	1.67
P+ / K2	3.32
K3	3.65

COMPONENTS



LST Standard Deco front case view.



LST Standard Deco inside the casing showing the emitter.



LST Standard Deco emitter, showing high level valve option (valve not included).



LST Standard Deco circular knockout for TRV. Oblong knockout for pipe.