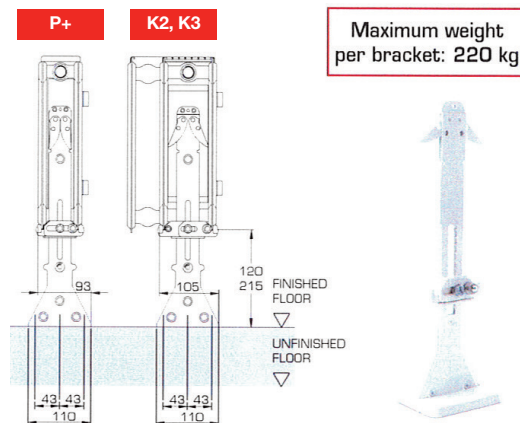


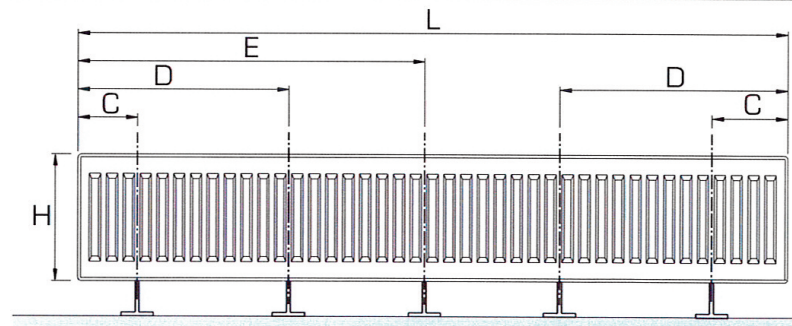
K3 Floormount Instructions



For fixation on finished floor

Monclac floor standing bracket 120-215, article code R5209, the distance between the bottom of the radiator and the floor is adjustable per 5 mm.

Note:
Not useable for vertical radiators



recommended positions and numbers:

	L	400	500 1100	1200	1400 1800	2000 3000
H	Number:	2 pc.				3 pc.
300	C	117	150	250	250	250
400	E	-	-	-	-	L/2 +17
500						

	L	400	500 1100	1200	1400 1800	2000	2200	2400	2600	2800	3000
H	Number:	2 pc.			3 pc.	4 pc.		5 pc.			
600	C	117	150	250	250	250		250			
700	D	-	-	-	-	750	817	850	750	817	850
900	E	-	-	-	817	-	-	-	L/2 +17		



Floor bracket

MCS 120-215



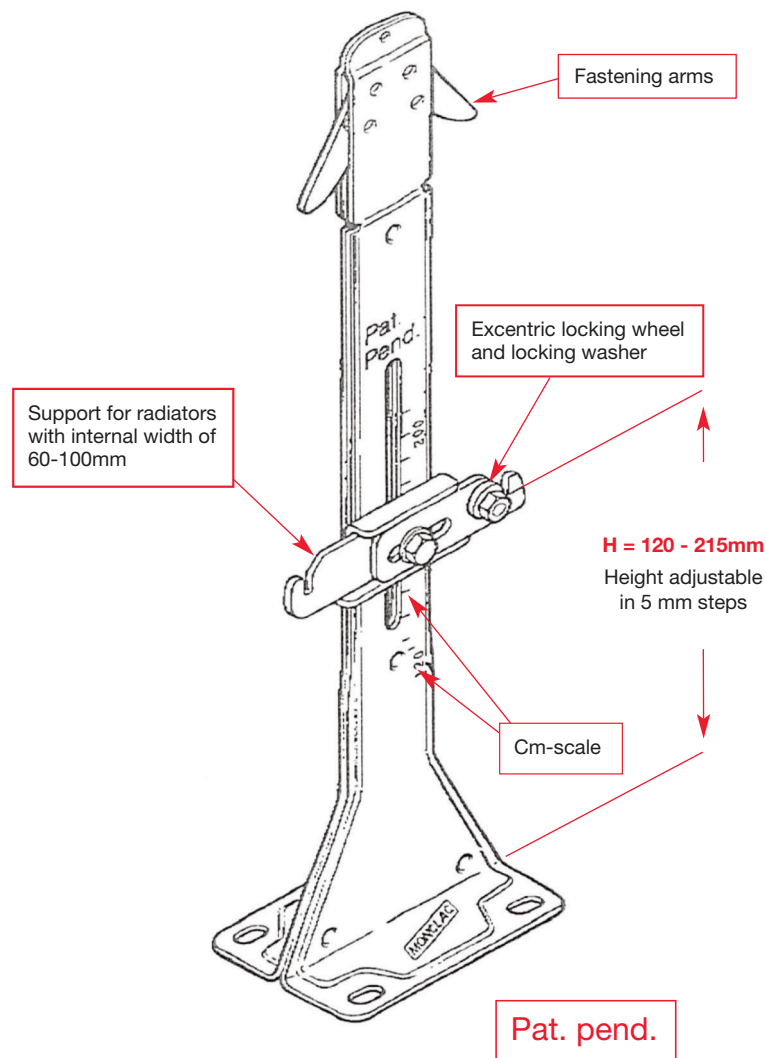
Number of brackets/radiator

Radiator BH 300-500mm		Radiator BH 600-900mm	
Radiator BL	No.	Radiator BL	No.
400-1800	2	400-1200	2
1900-1300	3	1300-1800	3
		1900-2400	4
		2500-3000	5

Maximum 150 mm

Before mounting, verify the solidity of the floor.

Maximum load/bracket = 220kg.



Montageanleitung der Monclac Standkonsole MCS 120-215

