

Towel Rail Range



Stelrad Towel Rails offer stylish looks and effective heating and drying performance - in the bathroom or in the kitchen. Available from stock in white or chrome.

Best Sellers



26 models

Heights: 678mm to 1744mm

Lengths: 400mm, 500mm & 600mm

Outputs: 240 to 1022 watts, 820 to 3489 Btu/hr

Types: Straight, curved, white or chrome

BIM

5
FIVE YEAR
WARRANTY

For more information call 0844 543 6200 or visit www.stelrad.com

 **Stelrad**
Europe's favourite radiator

Follow us on:  @stelrad  facebook.com/stelradlimited

The Stelrad you know *and so much more...*

Towel Rail



50 Δt (75/65/20°C) Straight White Straight Chrome Curved White Curved Chrome

Height	Length mm	Max Projection mm	UIN	Heat output Watts	Heat output Btu/hr	Max Projection mm	UIN	Heat output Watts	Heat output Btu/hr	Max Projection mm	UIN	Heat output Watts	Heat output Btu/hr	Max Projection mm	UIN	Heat output Watts	Heat output Btu/hr
760	500	100	148070	376	1283	100	147002	246	839	100	147006	376	1283	100	147012	246	839
	600	100	148071	445	1518	100	147003	294	1003	100	147007	445	1518	100	147013	294	1003
1211	500	100	148072	576	1965	100	147004	379	1293	100	147008	576	1965	100	147014	379	1293
	600	100	148073	686	2341	100	147005	453	1546	100	147009	686	2341	100	147015	453	1546
1744	500	100	148074	844	2880	100	142768	557	1900	100	147010	844	2880	100	147016	557	1900
	600	100	148075	1000	3412	100	142769	667	2276	100	147011	1000	3412	100	147017	667	2276

$\Delta t50$ is the UK's industry standard for heating outputs, which has an operating temperature of 75/65/20°C if you have a low temperature heat source you may wish to consider $\Delta t40$ or $\Delta t30$ output (see your installer or system designer).

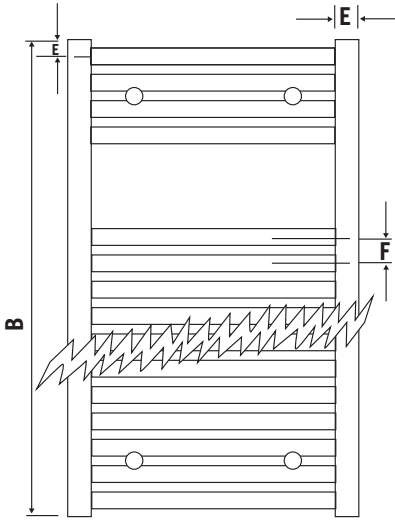
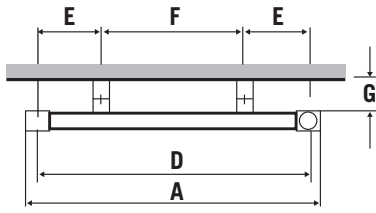
EN 442 Certification Data - CETIAT tested in accordance with BS EN 442

Type	Straight/Curved Chrome						Straight/Curved White					
No of tubes												
Height	760	760	1211	1211	1744	1744	760	760	1211	1211	1744	1744
Length	500	600	500	600	500	600	500	600	500	600	500	600
Watts at 75/65/20	246	294	379	453	557	667	376	445	576	686	844	1000
n-coefficients	1.2545	1.2519	1.2757	1.2726	1.3015	1.2978	1.2320	1.2332	1.2528	1.2464	1.2783	1.2625
Heated Surface Area (m ²)	0.71	0.83	1.11	1.30	1.60	1.88	0.71	0.83	1.11	1.30	1.60	1.88
Weight (kg)	6.12	7.06	9.63	11.10	13.86	15.98	6.12	7.06	9.63	11.10	13.86	15.98
Water Contents (l)	4.41	5.10	6.89	7.97	9.80	11.40	4.41	5.10	6.89	7.97	9.80	11.40
KM (P/dTn)	1.8179	2.1949	2.5779	3.1188	3.4249	4.1610	3.0343	3.5743	4.285	5.2327	5.6826	7.1623

		STRAIGHT MODELS					CURVED MODELS				
A Width (mm)	B Height (mm)	C Depth (mm)	D Tap Centres (mm)	Wall Mounting Positions			C Depth (mm)	D Tap Centres (mm)	Wall Mounting Positions		
				E (mm)	F (mm)	G (mm)			E (mm)	F (mm)	G (mm)
400	678	30	356	70	216	65-75					
500	760	30	456	70	316	65-75	56.0	456	110	236	40-45
600	760	30	556	70	416	65-75	60.0	556	110	336	40-45
500	1211	30	456	70	316	65-75	56.0	456	110	236	40-45
600	1211	30	556	70	416	65-75	60.0	556	110	336	40-45
500	1744	30	456	70	316	65-75	56.0	456	110	236	40-45
600	1744	30	556	70	416	65-75	60.0	556	110	336	40-45

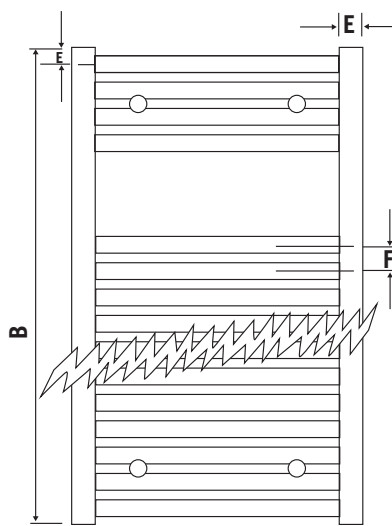
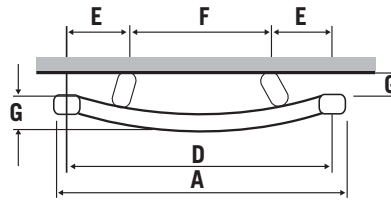
Straight models

All dimensions in mm. Inches in brackets.

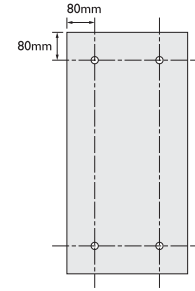


Curved models

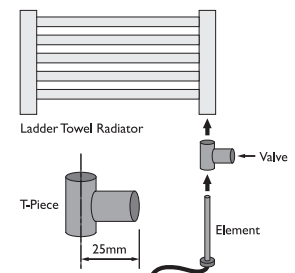
All dimensions in mm. Inches in brackets.



Brackets positions



Electric element option



*Esprit models do not require a T-Piece

Mini Towel Rail

50 Δt (75/65/20°C)

White

Chrome

Height	Length mm	Max Projection mm	UIN	Heat output Watts	Btu/hr	Max Projection mm	UIN	Heat output Watts	Btu/hr
678	400	100	147000	273	931	100	147001	175	597

$\Delta t50$ is the UK's industry standard for heating outputs, which has an operating temperature of 75/65/20°C if you have a low temperature heat source you may wish to consider $\Delta t40$ or $\Delta t30$ output (see your installer or system designer).

EN 442 Certification Data - CETIAT tested in accordance with BS EN 442

Type	White	Chrome
No of tubes		
Height	14	14
Length	678	678
Watts at 75/65/20	400	175
n-coefficients	1.2232	1.2535
Heated Surface Area (m ²)	0.51	0.51
Weight (kg)	4.57	4.57
Water Contents (l)	3.20	3.20
KM (P/dTn)	2.2803	1.2983

Mini Towel Rail

All dimensions in mm. Inches in brackets.

