

Classic Column Range Vertical

A timeless classic design, to complement both contemporary and traditional interiors. The Classic Column is a real style statement, with a beautiful finish and sizes to suit almost any space.

Designer

6 vertical models

Heights: 1800mm, 2000mm & 2500mm

Lengths: 352mm & 444mm

Outputs: 868 to 1539 watts, 2962 to 5251 Btu/hr

Types: 2 column

BIM

5
FIVE YEAR
WARRANTY

For more information call 0844 543 6200 or visit www.stelrad.com

 **Stelrad**
Europe's favourite radiator

Follow us on:  @stelrad  facebook.com/stelradlimited

The Stelrad you know *and so much more...*

Stelrad Classic Column Range Vertical



50 Δt (75/65/20°C)

Height	Length mm	Columns	Heat output		
			UIN	Watts	Btu/hr
1800	352	2	163054	868	2962
	444	2	163055	1116	3808
2000	352	2	163056	966	3296
	444	2	163057	1242	4238
2500	352	2	163058	1197	4084
	444	2	163059	1539	5251

Δt_{50} is the UK's industry standard for heating outputs, which has an operating temperature of 75/65/20°C if you have a low temperature heat source you may wish to consider Δt_{40} or Δt_{30} output (see your installer or system designer).

40 Δt (65/55/20°C) 30 Δt (55/45/20°C)

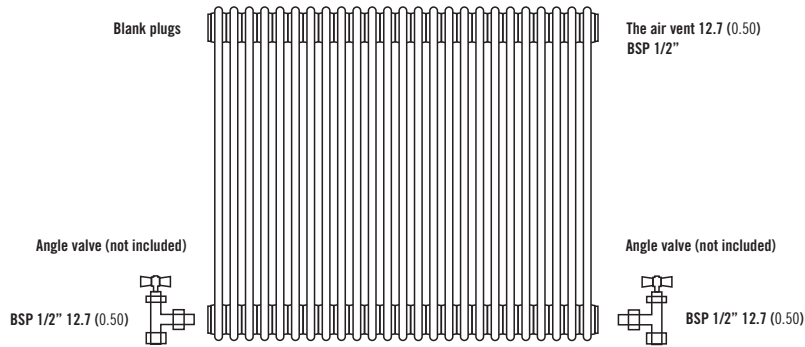
Height	Length mm	Columns	Heat output			Heat output		
			UIN	Watts	Btu/hr	UIN	Watts	Btu/hr
1800	352	2	163054	649	2215	447	1525	
	444	2	163055	835	2848	575	1961	
2000	352	2	163056	723	2465	497	1697	
	444	2	163057	929	3170	640	2182	
2500	352	2	163058	895	3055	616	2103	
	444	2	163059	1151	3928	793	2704	

EN 442 Certification Data - CETIAT tested in accordance with BS EN 442

Type	2 Columns					3 Columns				4 Columns			
	500	600	1800	2000	2500	300	500	600	750	300	500	600	750
Height	500	600	1800	2000	2500	300	500	600	750	300	500	600	750
W/m at 75/65/20	835	985	2696	3000	3717	696	1122	1324	1615	911	1469	1734	2117
n-coefficients	1.25	1.25	1.31	1.31	1.3	1.25	1.25	1.26	1.26	1.25	1.26	1.27	1.27
Heated Surface Area (m ² /m)	1.52	1.96	6.09	6.74	8.48	1.52	2.39	3.04	3.7	1.96	3.26	4.13	5
Weight (kg/m)	17.39	21.74	58.7	65.22	80.43	15.22	26.09	30.43	36.96	21.74	36.96	43.48	54.35
Water Contents (l/m)	10.87	13.04	32.61	36.96	44.72	13.04	17.39	19.57	23.91	15.22	21.74	26.09	30.43
Wall to tap centre (mm)	54 / 59	54 / 59	54 / 59	54 / 59	54 / 59	73 / 78	73 / 78	73 / 78	73 / 78	91 / 96	91 / 96	91 / 96	91 / 96

Classic Column typical valve installation

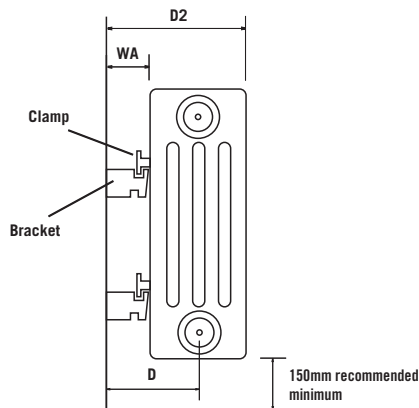
All dimensions in mm. Inches in brackets.



Note: Factory fitted bushes are welded in place and not removable.
If installing TBOE (Top Bottom Opposite End) please note that the radiator MUST be inverted.

Classic Column typical bracket installation

All dimensions in mm.



Measurements using 10mm CVD Brackets Slot

Add 5mm if using 15mm Slot

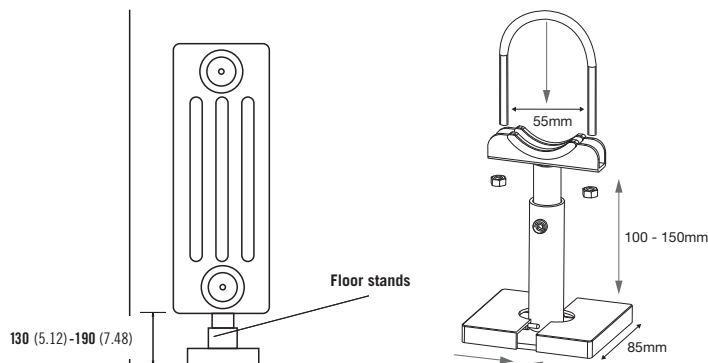
	WA	D	D2
2 Col	23	54	85
3 Col	23	73	123
4 Col	23	91	159

Brackets and Clamps Required

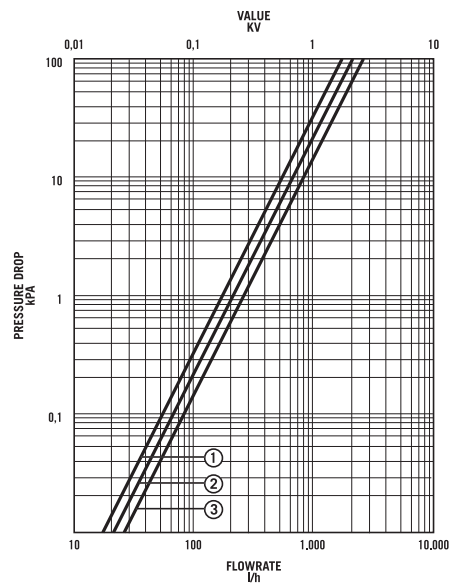
	No of Sections
4	0 - 23
6	24 - 41

Classic Column optional floor mounting brackets

All dimensions in mm. Inches in brackets.



Pressure drops



- ① 2 Column (P1), 11 (K1)
- ② 3 Column (P+), 22 (K2)
- ③ 4 Column (K3)

colourful *inspiration*

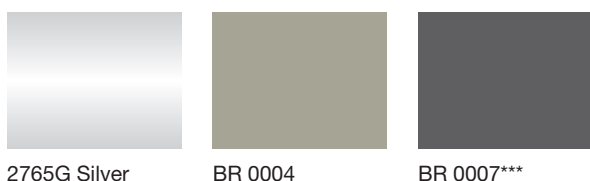
A shade for every room, for every interior. Opt for warm elegance, baroque ambience or modern minimalism. With Stelrad, you can heat your home in colour. Choose from a full range of stylish radiator colours.

Below colours for Classic Column

RAL Colours



Metallic Colours



Stelrad radiators are available in white (RAL 9016) as standard, however the specific radiators identified are now available in a variety of colours. Please note that once ordered, coloured radiators cannot be cancelled.

The colours shown are reproduced as accurately as this process will allow and can be made to order on the identified products.

*Excel black **Standard white ***Colour for Arc, Wave and Optia

Please note: When a coloured radiator or radiators over 2 metres have been ordered they cannot be cancelled or returned. All colour radiators have a 6 week lead time.

To request a colour chart and details of how to order please email marketing@stelrad.com